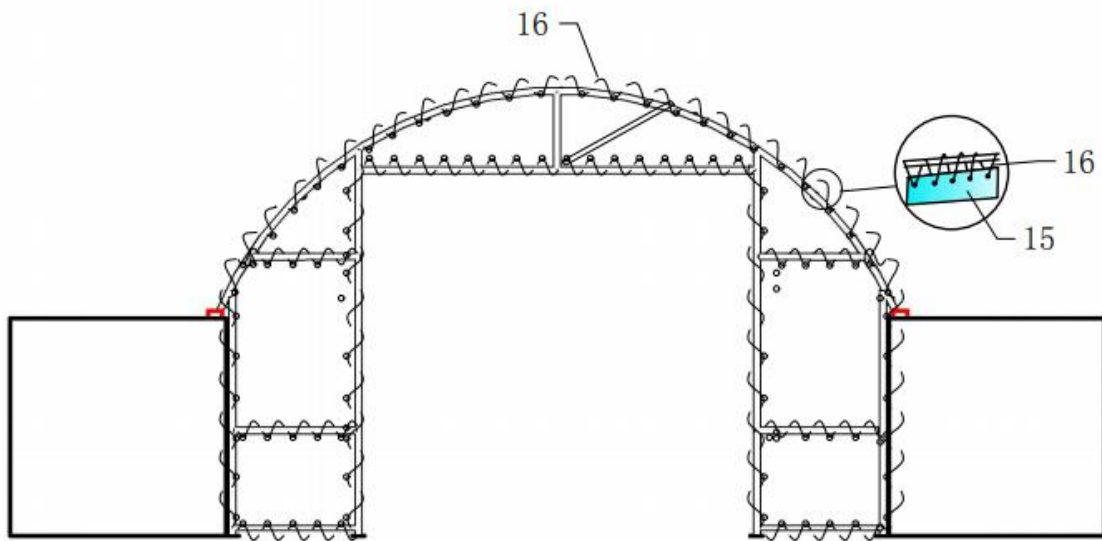


# SHELTER ASSEMBLY MANUAL

Model # W8 x L6 x H 3m  
C2620 Back wall & Frame



Part Number	description	Number
1	Base Plate for endwall door	2
2	Base plate at both side	2
3	Extension Leg for High Qube Container	4
4	Lower standing leg	4
6	Upper standing leg for the door	2
8	Upper standing leg for both side	2
9	Lower horizontal tube	2
10	Upper horizontal tube	2
11	door beam	1 group
12	vertical supporting tube	1
13	diagonal bracing tube	1
14	bottom tension tube	2
15	Back endwall fabric	1
16	Rope	1 bundle
17	Bolts M10*60	5
18	Carriage Bolts M10*90	6
19	Carriage Bolts M8*70	24
20	Clips $\phi$ 60	6
21	Stake Peg	8
22	Iron Plate with two holes(welded on already)	1
23	Clips $\phi$ 40	1

## **SPECIFICATION**

Length: 6m

Width: 8m

Height: 3m

## **IMPORTANT-----READ MANUAL FIRST**

Improper site preparation, Assembly and Maintenance may invalidate warranty and cause unnecessary and costly mistake. If you have any questions contact your local dealer.

For User Friendly assembly we have identified each individual component with the part code as indicated in the parts list. Please refer to the part code numbers and drawing to ensure problem free assembly.

It's necessary to tighten the roof fabric enough to avoid "hammocks" on the roof and also re-tighten once or twice again after a few months of use. This is important when assembly in cold weather (autumn and winter) because the fabric is stiff then and when we got the sun and warm weather afterwards it will make the fabric "slack" again and need to be re-tighten before next winter.

It's the owners responsibility to take of snow immediately if not slide off by itself.

## **READ ALL INSTRUCTIONS BEFORE ASSEMBLY**

1. Keep work area clean. Cluttered areas invite injuries. Do not set up near snow drifts, in slippery places, in high winds, or wet location.
2. Keep children away. All children should be kept away from the work area.
3. Don't over reach. Keep proper footing and balance at all times.
4. Do not assemble in under the influence of alcohol or drugs. Read warning labels on prescriptions to determine if your judgment or reflexes are impaired while taking drugs. If there is any doubt, do not assemble.
5. Be aware of possible windy conditions; fasten the bases in concrete if these conditions are likely to occur. Remove the cover during hurricane.
6. Be careful with power and heat sources. Do not keep heat sources near the tarpaulin. Do not expose to open flame.
7. Be aware of personal safety during assembly and use. Be careful not to pinch fingers with clips and tubes when assembling: when using makes sure there is adequate ventilation for exhaust and other dangerous fumes.

## EQUIPEMNT AND TOOLS FOR INSTALIATION

1. Measuring tape
2. String for alignment
3. Step ladder
4. Welder
5. Sledge hammer
6. Wrench
7. Scissors

## INSTALLATION PROCESS

### A--FRAME INSTALLATION

Please refer to the diagram (Figure 1) to install the base plate. UNIT: mm

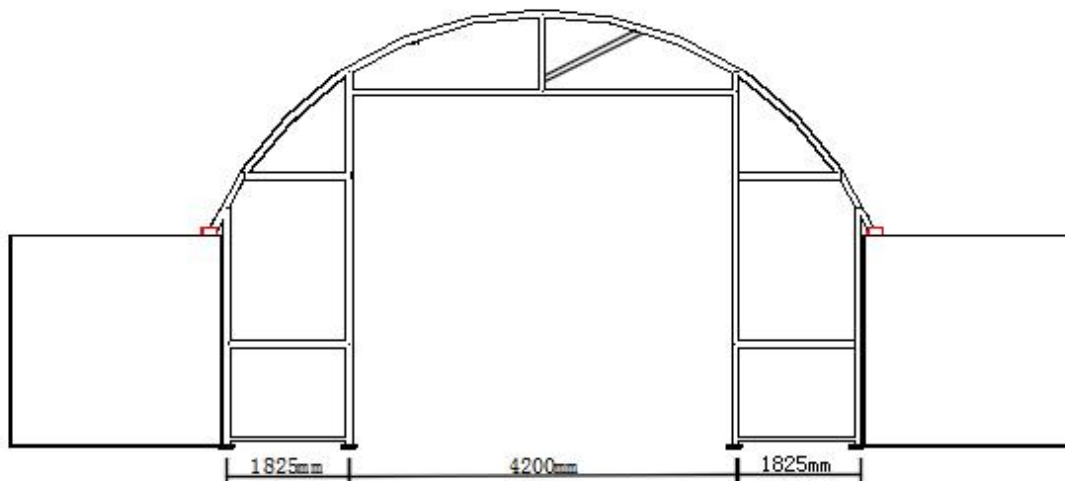


Figure 1

There are four base plate comes with the back endwall. Each of them should be placed in the right position(especially the two base plate close to the containers.)

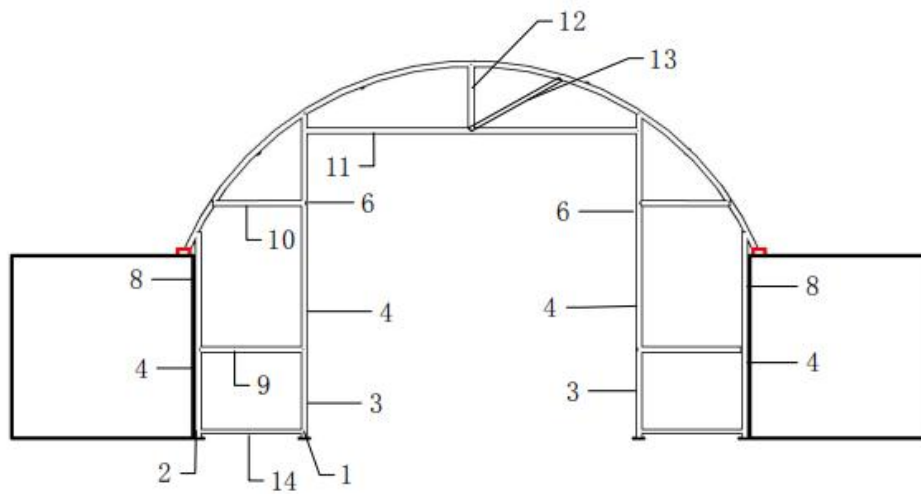


Figure 2

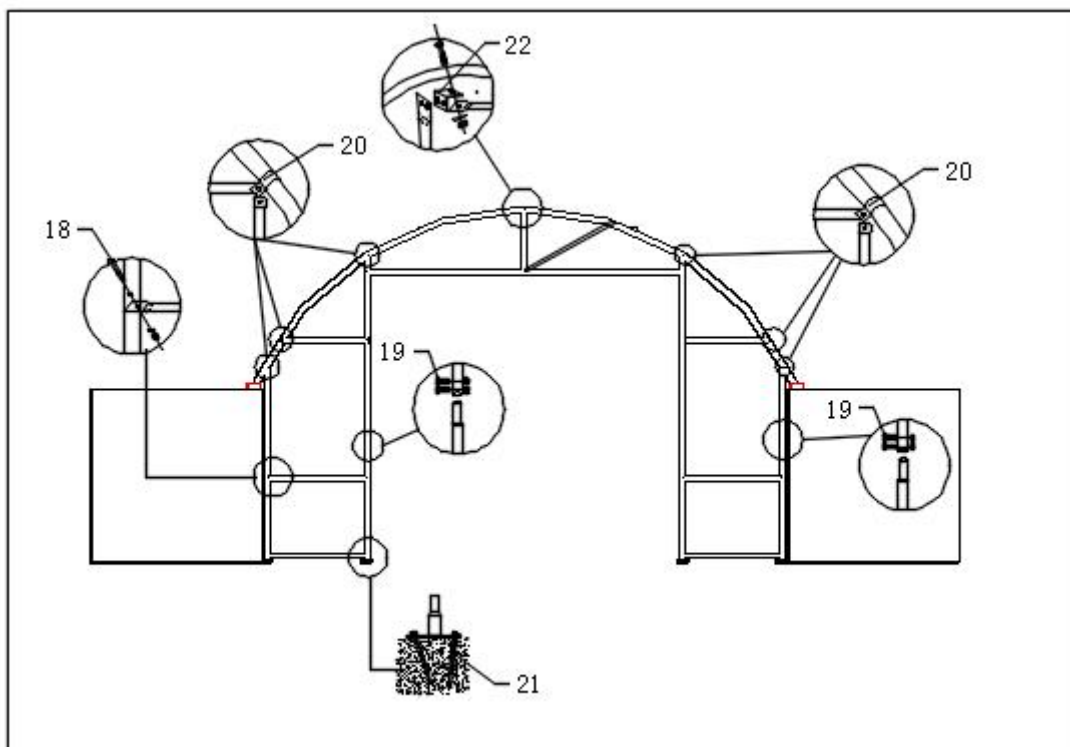


Figure 3

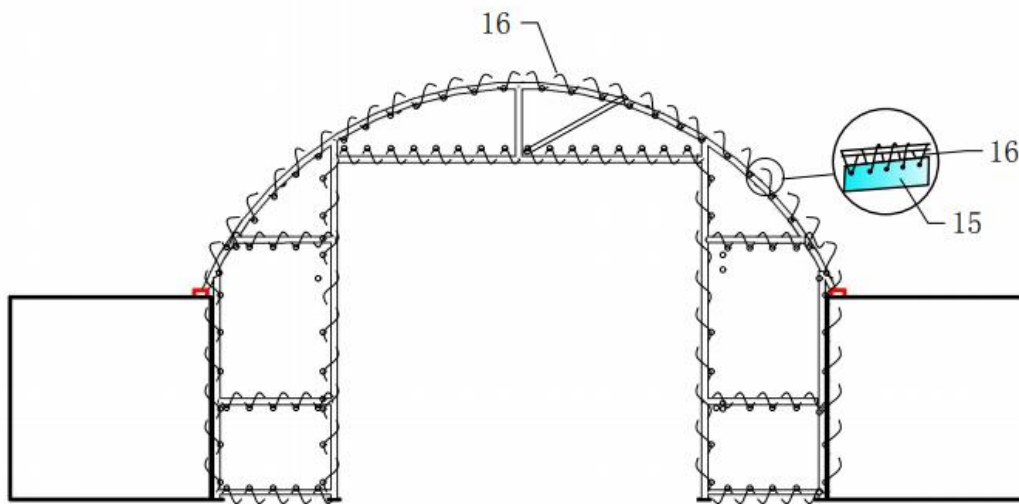
1. The measure is from center to center of the tubes. Referring to the above diagram.
2. As the **Figure 2** Shows, please find all the parts accordingly.

3. Part No.3 is extension leg. **YOU DONT NEED IT WHEN YOUR CONTAINER IS GENERAL PURPOSE CONTAINER. YOU NEED IT WHEN YOUR CONTAINER IS HIGH QUBE**
4. Connect all parts together by using clips(Part No. 20 & Part No.23 and bolts.

### **C--INSTRUCTION FOR COVER ATTACHED**

**Assembly the end cover first.**

NOTE: DO NOT install the cover onto the frame of your building in high wind conditions. A slight breeze is the most advantageous for cover installation. To take advantage of the breeze, pull the cover up over the arches with the breeze blowing in the cover like a sail filled with air.



**Figure 3**

1. Use rope(NO.16) to tie the end cover (No.15) to the end wall. The process is quite easy. But some tightening adjustments will be necessary to produce a flat. Please adjust the cover timely.