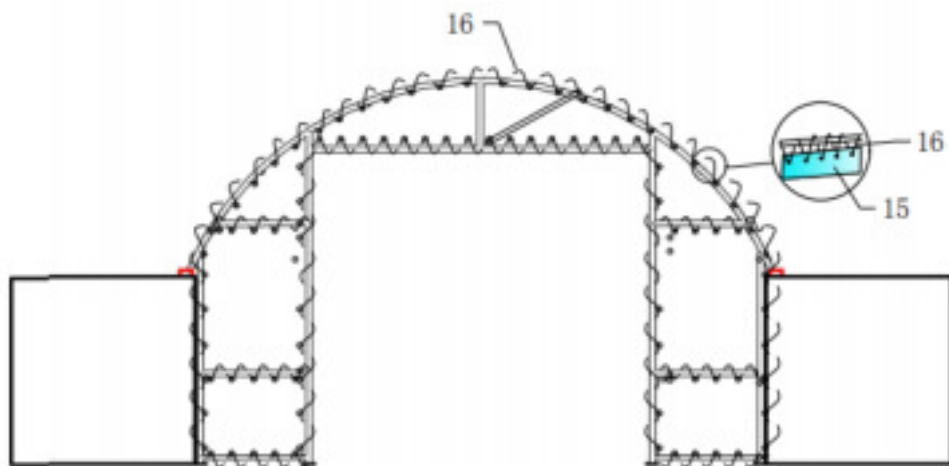


SHELTER

ASSEMBLY MANUAL

Model # W10xL12xH 3.6m

C3340 Back wall & frame of Container Shelter



C3340 Back wall & frame

SPECIFICATION

Width:10m

Length:12m

Height:3.6m

IMPORTANT-----READ MANUAL FIRST

Improper site preparation, Assembly and Maintenance may invalidate warranty and cause unnecessary and costly mistake. If you have any questions contact your local dealer.

For User Friendly assembly we have identified each individual component with the part code as indicated in the parts list. Please refer to the part code numbers and drawing to ensure problem free assembly.

It's necessary to tighten the roof fabric enough to avoid "hammocks" on the roof and also re-tighten once or twice again after a few months of use. This is important when assembly in cold weather (autumn and winter) because the fabric is stiff then and when we got the sun and warm weather afterwards it will make the fabric "slack" again and need to be re-tighten before next winter.

It's the owners responsibility to take of snow immediately if not slide off by itself.

READ ALL INSTRUCTIONS BEFORE ASSEMBLY

1. Keep work area clean. Cluttered areas invite injuries. Do not set up near snow drifts, in slippery places, in high winds, or wet location.
2. Keep children away. All children should be kept away from the work area.
3. Don't over reach. Keep proper footing and balance at all times.
4. Do not assemble in under the influence of alcohol or drugs. Read warning labels on prescriptions to determine if your judgment or reflexes are impaired while taking drugs. If there is any doubt, do not assemble.
5. Be aware of possible windy conditions; fasten the bases in concrete if these conditions are likely to occur. Remove the cover during hurricane.
6. Be careful with power and heat sources. Do not keep heat sources near the tarpaulin. Do not expose to open flame.
7. Be aware of personal safety during assembly and use. Be careful not to pinch fingers with clips and tubes when assembling: when using makes sure there is adequate ventilation for exhaust and other dangerous fumes.

Parts List

Part Code	Description	Qty
1	Base plate with tie down ratchet	2
2	Lateral base plate with tie down ratchet	2
3	Added legs ϕ 76*42cm	4
4	Lower standpipe of back wall ϕ 76*2.49m	4
5	Middle standpipe of back wall ϕ 76*2.49m	2
6	Upper standpipe of back wall ϕ 76*92cm	2
8	Upper standpipe of lateral back wall ϕ 60*74cm	2
9	Middle Horizontal Tube for End Wall	2
10	Middle Horizontal Tube for End Wall ϕ 40*1.55m	2
11	Middle Beam for End Wall	1 group
12	Middle Suspending Tube	1
13	Sidewall Support tube	1
14	Lower tensioning tube for roof cover ϕ 32*1.61m	2
15	Back Cover	1
16	Ropes	1 dozen
17	Bolt M10*60	5
18	Bolt M10*90	34
19	Bolt ϕ 12*110	6
20	Clip	6
21	Stake Peg	8
22	Two-place angle seat	1
23	Φ 60 Clip	1
24	Belay objects	1

SPECIFICATION

Width: 10m Length: 12m Height: 3.6m

IMPORTANT-----READ MANUAL FIRST

Improper site preparation, Assembly and Maintenance may invalidate warranty and cause unnecessary and costly mistake. If you have any questions contact your local dealer.

For User Friendly assembly we have identified each individual component with the part code as indicated in the parts list. Please refer to the part code numbers and drawing to ensure problem free assembly.

It's necessary to tighten the roof fabric enough to avoid "hammocks" on the roof and also re-tighten once or twice again after a few months of use. This is important when assembly in cold weather (autumn and winter) because the fabric is stiff then and when we got the sun and warm weather afterwards it will make the fabric "slack" again and need to be re-tighten before next winter.

It's the owners responsibility to take of snow immediately if not slide off by itself.

READ ALL INSTRUCTIONS BEFORE ASSEMBLY

- 1.Keep work area clean. Cluttered areas invite injuries. Do not set up near snow drifts, in slippery places, in high winds, or wet location.
- 2.Keep children away.All children should be kept away from the work area.
- 3.Don't over reach. Keep proper footing and balance at all times.
- 4.Do not assemble in under the influence of alcohol or drugs. Read warning labels on prescriptions to determine if your judgment or reflexes are impaired while taking drugs. If there is any doubt, do not assemble.
- 5.Be aware of possible windy conditions; fasten the bases in concrete if these conditions are likely to occur. Remove the cover during hurricane.
- 6.Be careful with power and heat sources. Do not keep heat sources near the tarpaulin. Do not expose to open flame.
- 7.Be aware of personal safety during assembly and use. Be carful not to pinch fingers with clips and tubes when assembling: when using makes sure there is adequate ventilation for exhaust and other dangerous fumes.

EQUIPEMNT AND TOOLS FOR INSTALIATION

1. Measuring tape
2. String for alignment
3. Step ladder
4. Welder
5. Sledge hammer
6. Wrench
7. Scissors

INSTALLATION PROCESS

A—FRAME INSTALLATION

Please refer to the diagram (Figure 1) to install the Frame.

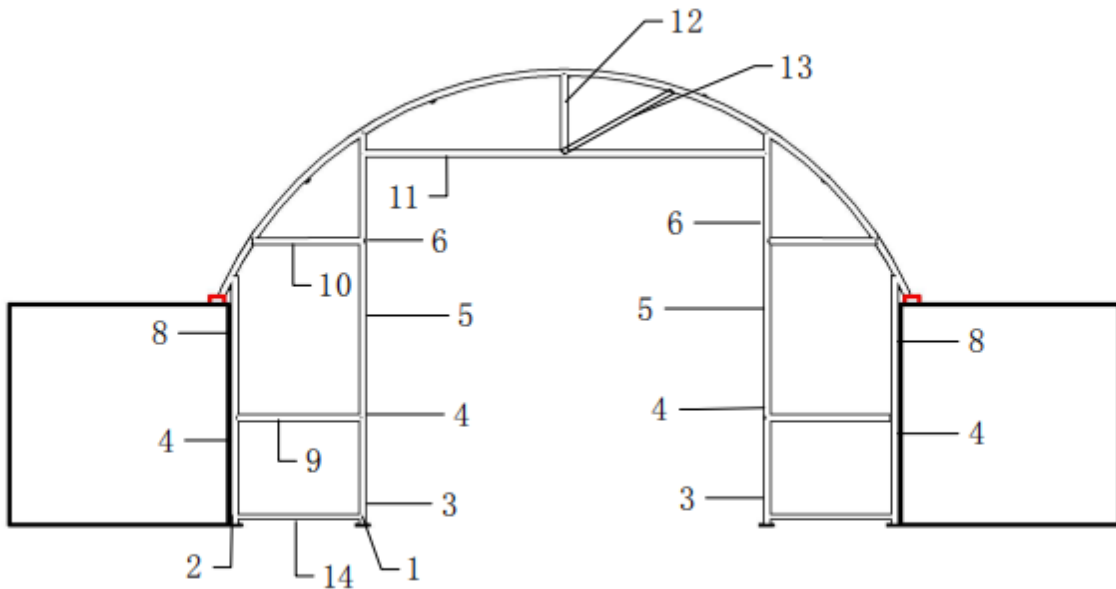


Figure 1

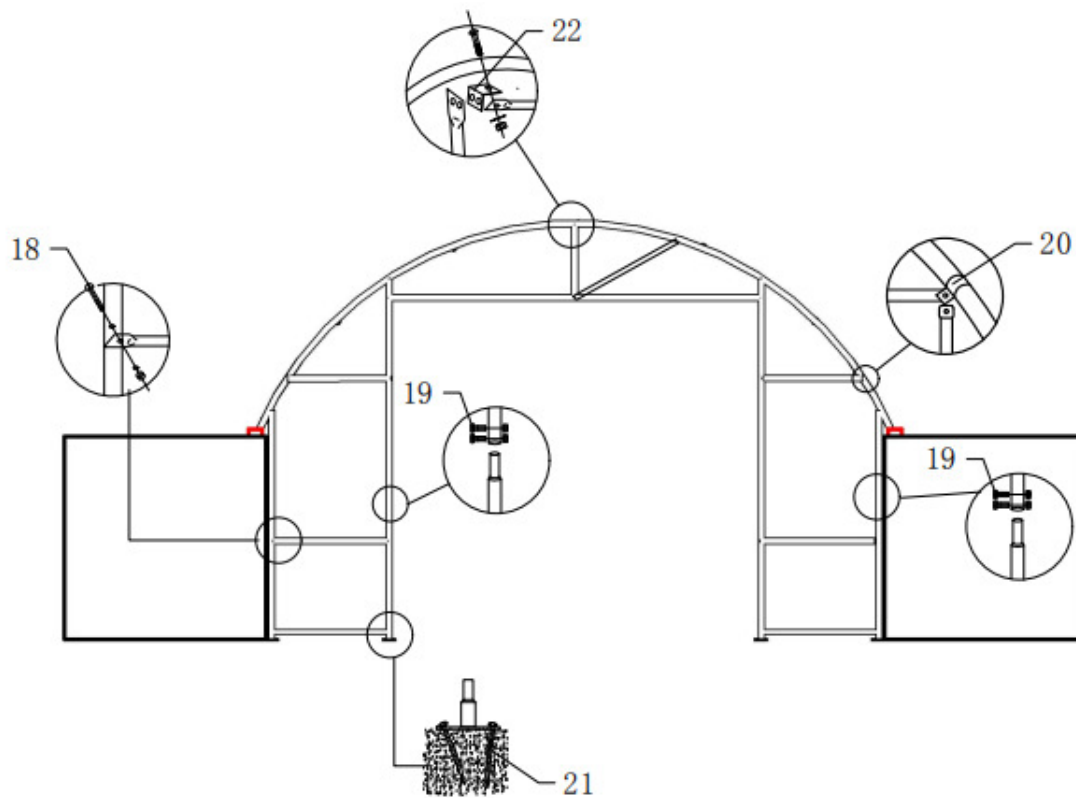


Figure 2

1. The measure is from center to center of the tubes. Referring to the above diagram.
2. As the **Figure 1** Shown, assembly the frame for end wall according to above drawing,
No.1 is the Base plate needs to be fixed with stake peg (No.21).
3. No.3 & 4 is the added leg and lower standpipe of back wall, connecting them with (NO.19) bolt M8*70.
4. No.8 & 4 is the Upper standpipe of lateral back wall and lower standpipe of back wall, connecting them with (NO.18) bolt M10*90.
- 5.The clips (NO.20) is use for connecting the tubes together.
- 6.Angle seat(No.22) is assembly them together with bent tube,this is use to connect the bent tube and the main frame, to make it more strong.
- 7.Assembly the arches one by one, then the frame will be finished like Figure 2.

C- INSTRUCTION FOR COVER ATTACHED

Install the Roof Cover

NOTE: DO NOT install the cover onto the frame of your building in high wind conditions. A slight breeze is the most advantageous for cover installation. To take advantage of the breeze, pull the cover up over the arches with the breeze blowing in the cover like a sail filled with air.

1. Use rope (NO.16) to tie the end cover (No.15) to the end wall.

The process is quite easy. But some tightening adjustments will be necessary to produce a flat. Please adjust the cover timely.

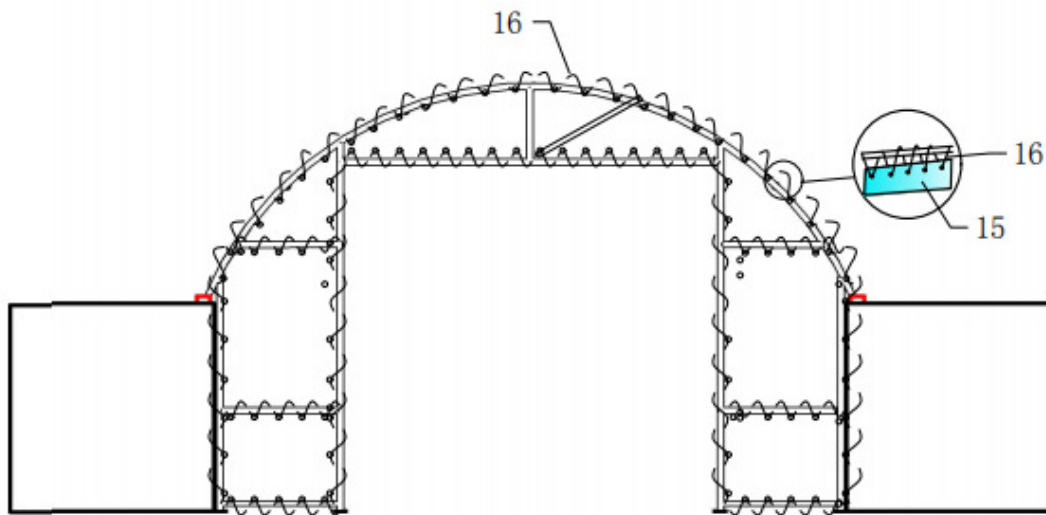


Figure 3

The process is quite easy. But some tightening adjustments will be necessary to produce a flat. Please adjust the roof cover timely.