

# SHELTER

## ASSEMBLY MANUAL

L33 x W 24 x H 11ft



## **SPECIFICATION**

Length: 50 Width: 33 Height: 17 ft

## **IMPORTANT-----READ MANUAL FIRST**

Improper site preparation, assembly and maintenance may invalidate warranty and cause unnecessary and costly mistakes. If you have any questions contact your local dealer.

For User Friendly assembly we have identified each individual component with the part code as indicated in the parts list. Please refer to the part code numbers and drawing to ensure problem free assembly.

It's necessary to tighten the roof fabric enough to avoid "hammocks" on the roof and also re-tighten once or twice again after a few months of use. This is important when assembly in cold weather (autumn and winter) because the fabric is stiff then and when we got the sun and warm weather afterwards it will make the fabric " slack " again and need to be re-tighten before next winter.

It's **the owners responsibility** to take of snow immediately if not slide of by itself.

## **READ ALL INSTRUCTIONS BEFORE ASSEMBLY**

1. Keep work area clean. Cluttered areas invite injuries. Do not set up near snow drifts, in slippery places, in high winds, or wet location.
2. Keep children away. All children should be kept away from the work area. Be aware of personal safety. Be careful not to pinch fingers with clips and tubes when assembling: when using makes sure there is adequate ventilation for exhaust and other dangerous fumes.
3. Do not over reach. Keep proper footing and balance at all times.
4. Do not assemble if under the influence of alcohol or drugs. Read warning labels on prescription to determine if your judgment or reflexes are impaired while taking drugs. IF there is any doubt, do not assemble.
5. Be aware of possible windy conditions; fasten the base in concrete if these situations may occur. Remove the cover during hurricane.
6. Be careful with power and heat sources. Do not keep heat sources near the tarpaulin. Do not expose to open flame.
7. Be aware of personal safety during assembly and use .Be careful not to pinch fingers with clips and tubes when assembling when using makes sure there is adequate ventilation for exhaust and other dangerous fumes.

## Parts List

Part	Description	QTY
1	Roof bent tube	4 sets
1A	Roof bent tube for front and back door	2 sets
2	Sidewall bent tube	8 sets
2A	Sidewall bent tube for front door	4 sets
3	Shoulder bent tube	12 sets
4	Standing leg	10sets
4A	Standing leg for for mechanical door	2sets
5	Purlin	35
6	Ratchet	16 sets
6L	Base Plate at left corner	2
6R	Base Plate at right corner	2
7	Base Plate at middle	8
8	Base Plate for Mechanical door	4
9	The door splint	8
10L	Lower Portal at left for front door	2
10R	Lower Portal at right for back door	2
11L	Upper Portal at left for front door(include a wheel)	2
11R	Upper Portal at right for back door(include a wheel)	2
12	Door beam for front door	4
12A	Vertical support tube for door beam	2
13	Lower purlin for both door	8
14	Square tube for No.14A	2
14A	Mechanical wheel	2
14B	Square tube for sidewall door to install 14A	2
15	Steel wire for Mechanical door	2
16	Lower Tensioning tube for front door	4
17	Steel wire at side face	10
18	Steel wire on top	12
19	Clip for both doors and steel wire	32
19A	Triangle	6
20	Vertical pipe for front door	14sets
21	Tensioning tube for Roof cover	2 sets
22	Bolt 8*70mm	192
22A		24
23	Bolt 10*80mm	42
24	Bolt 10*90mm	48

25	Bolt 10*30mm	8sets
25A	Bolt 10*60mm	8
26	Nylon Band for Ratchet	12
27	Ropes	1 bundle
28	φ32 Plastic cap	12
29	Stake peg	56
30	Front door cover	1
31	Back door cover	1
32	Roof cover	1

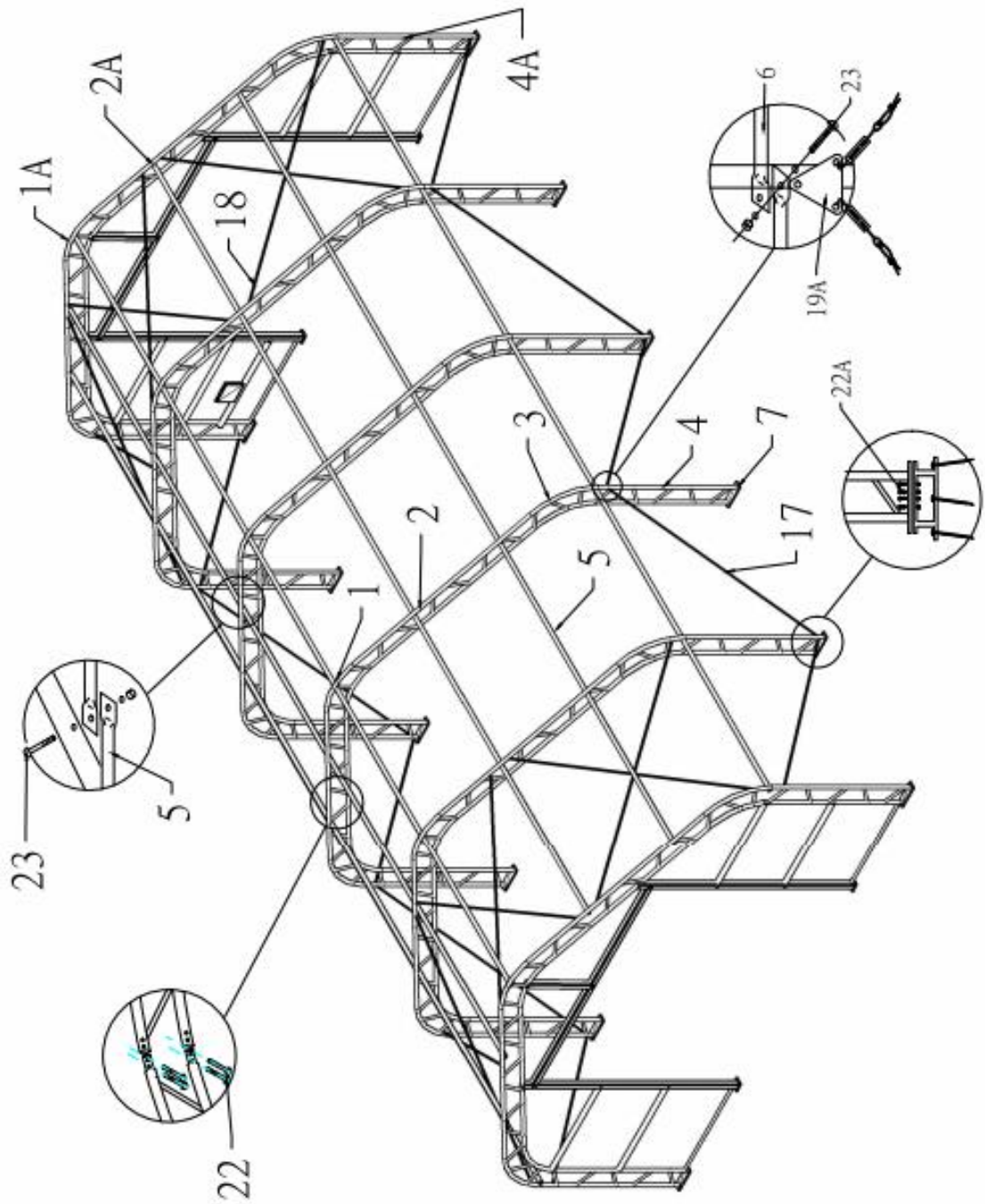


Figure 1: Frame Sketch

## EQUIPMENT AND TOOLS FOR INSTALLATION

1. Measuring Tape
2. String for alignment
3. Stake
4. Ladder or Scissors Lift
5. Sledge Hammer
6. Drill
7. Wrench
8. Knife
9. Hoist

## INSTALLATION PROCESS

### A----BASE INSTALLATION

Please refer to the diagram (Figure 2) to place the base plates:

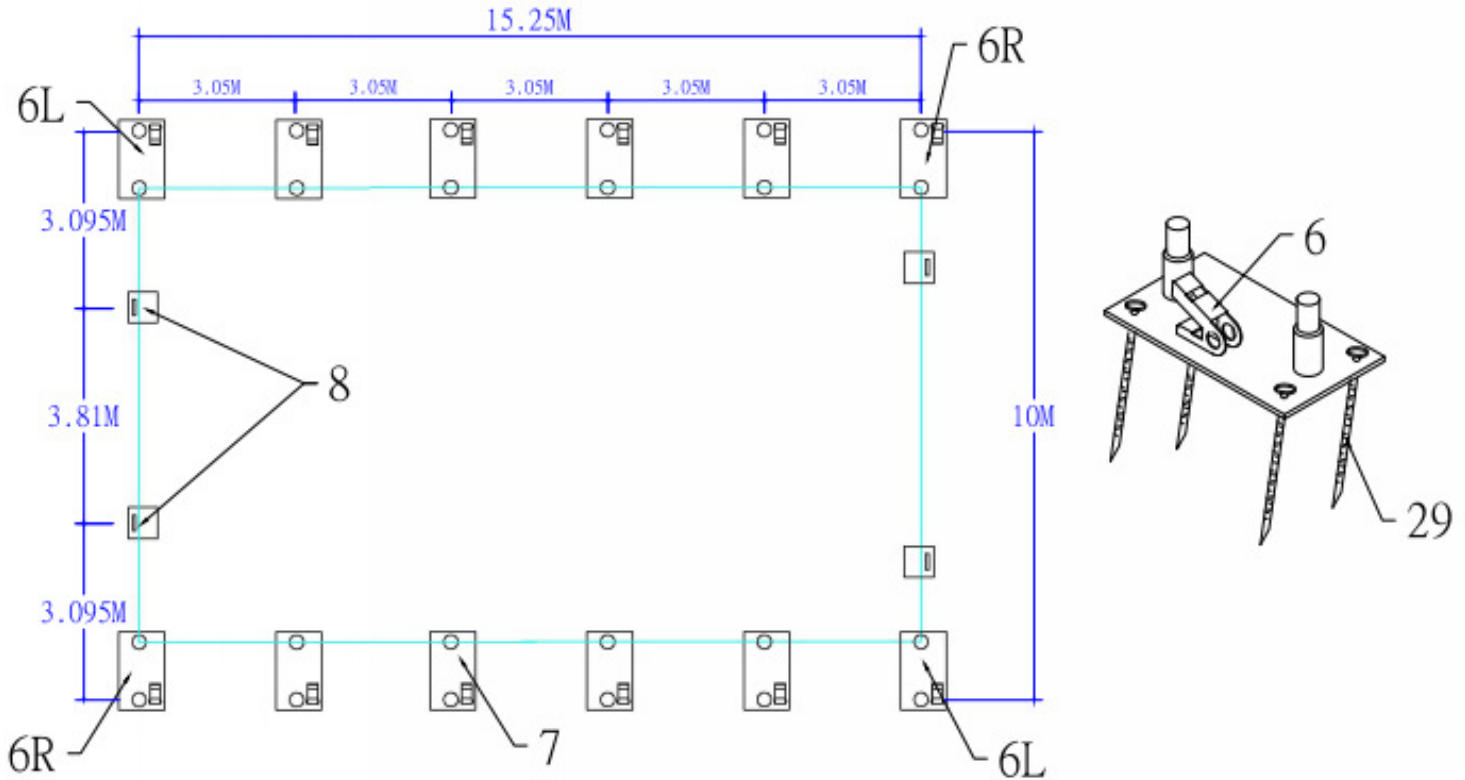


Figure 2 Base Plate

1. The measurement is from center to center of tubes on the base plates. Referring to the above diagram and confirm the place of base plates. There are four holes on the plates for stake pegs.

### Foundation placement

As Figure 2 shows each Base plate is equipped with 4 pieces of Stake peg.

1. Mark the stake peg hold through the base plate by using the stake peg. Move the base plates away and the mark determines where the stake peg will be.
2. **Note:** The stake peg apply for normal conditions, not suitable to the rock ground, frozen soil and concrete ground.

## B---FRAME INSTALLATION

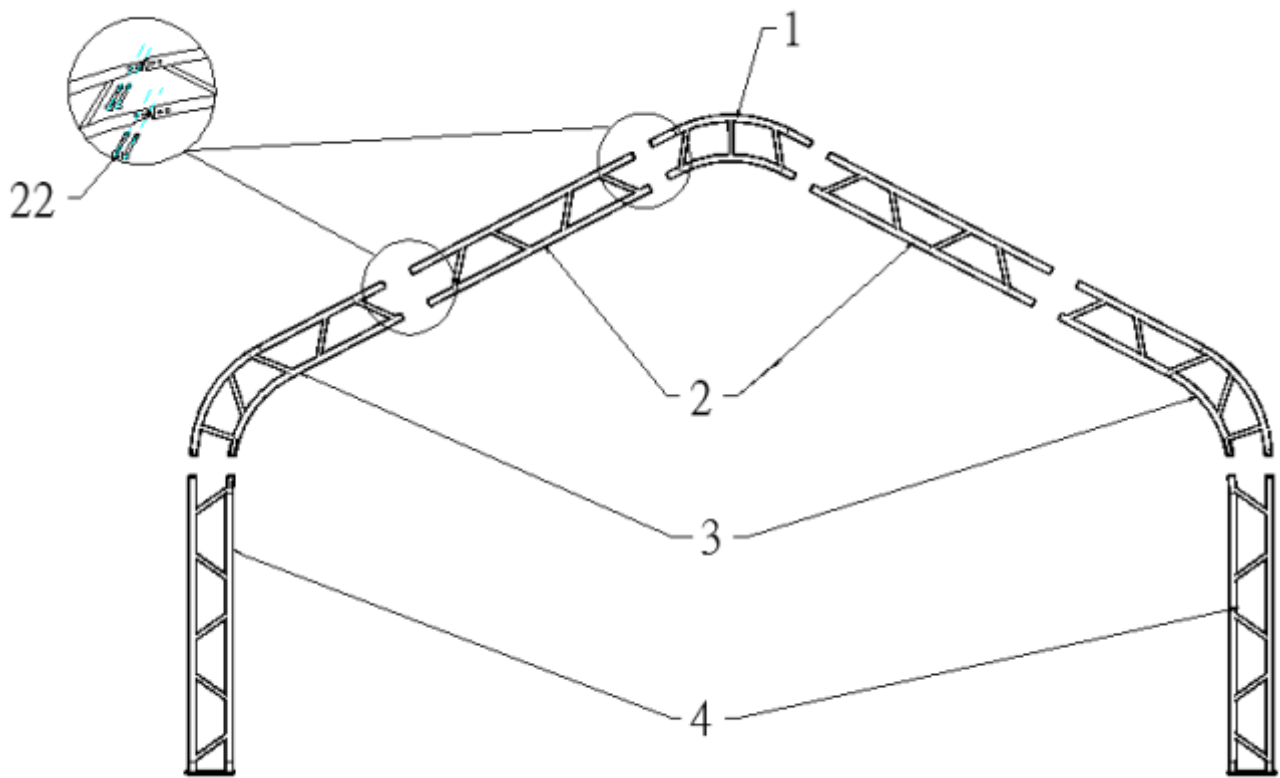
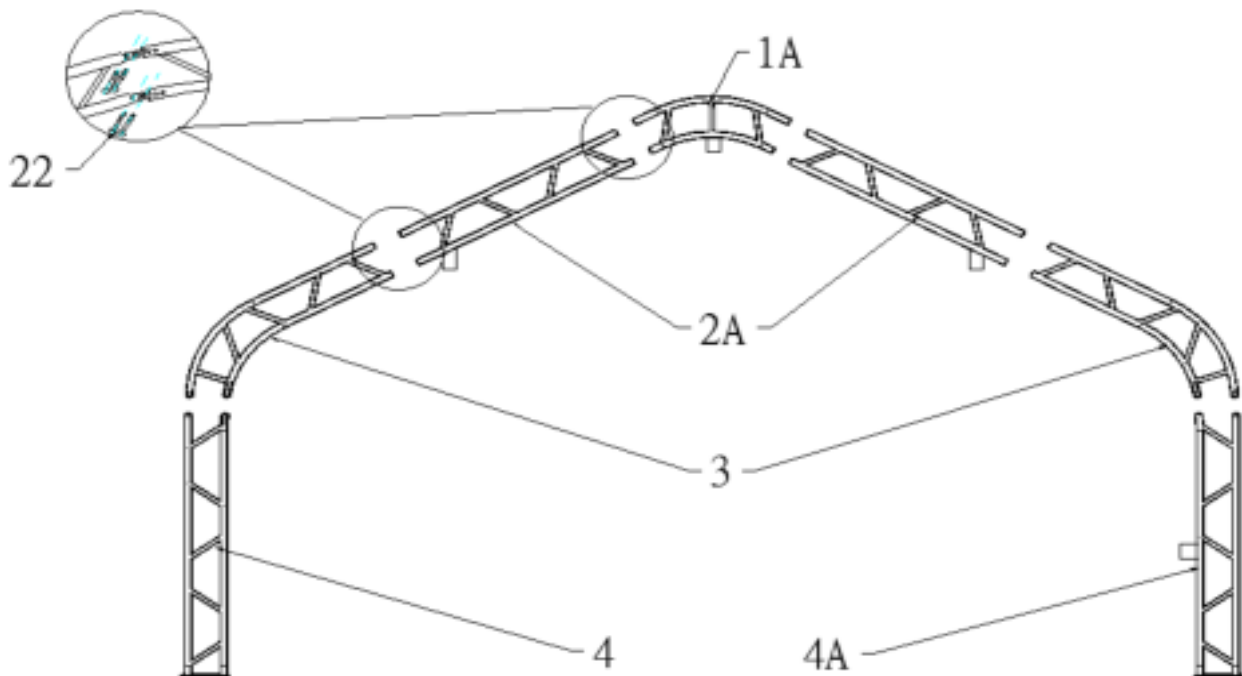


Figure 3 Frame



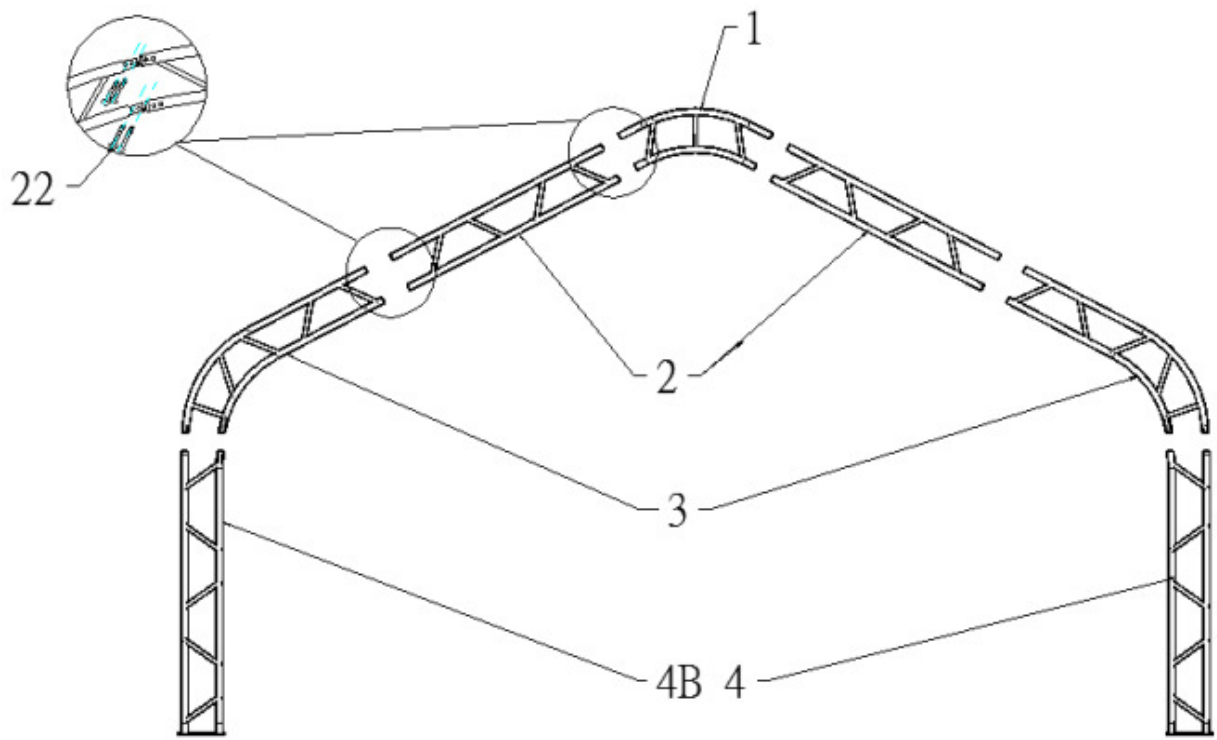


Figure 4 Front door frame

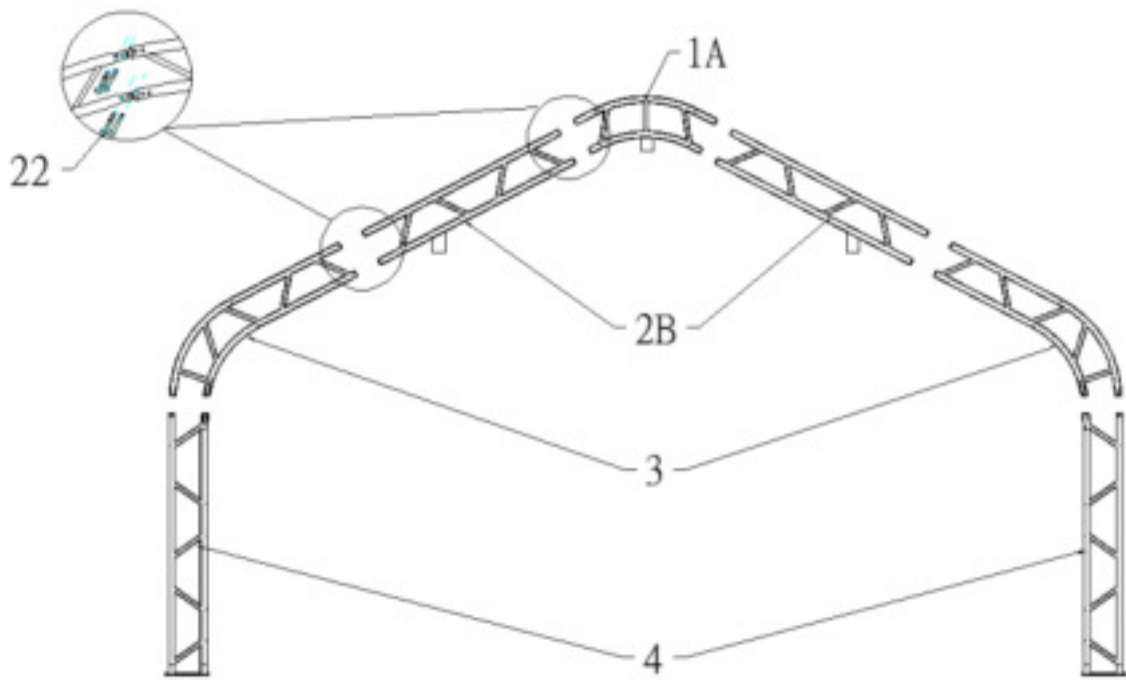
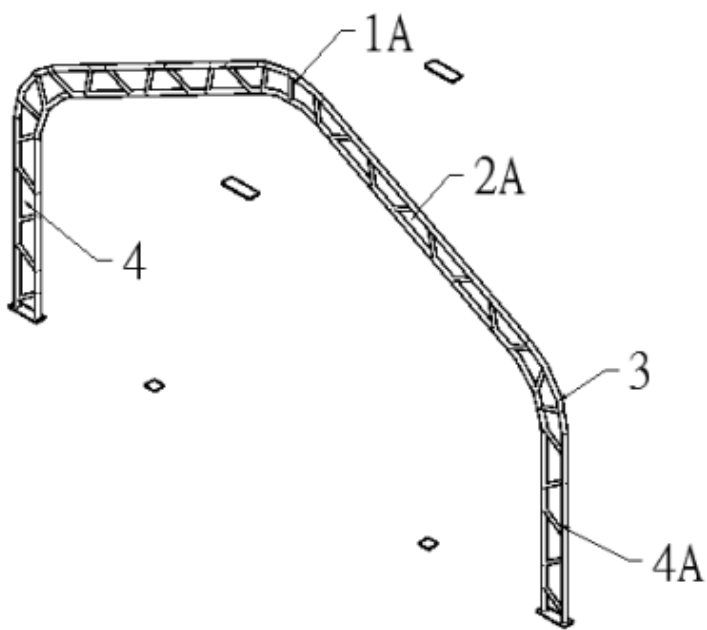


Figure 5 Backdoor frame

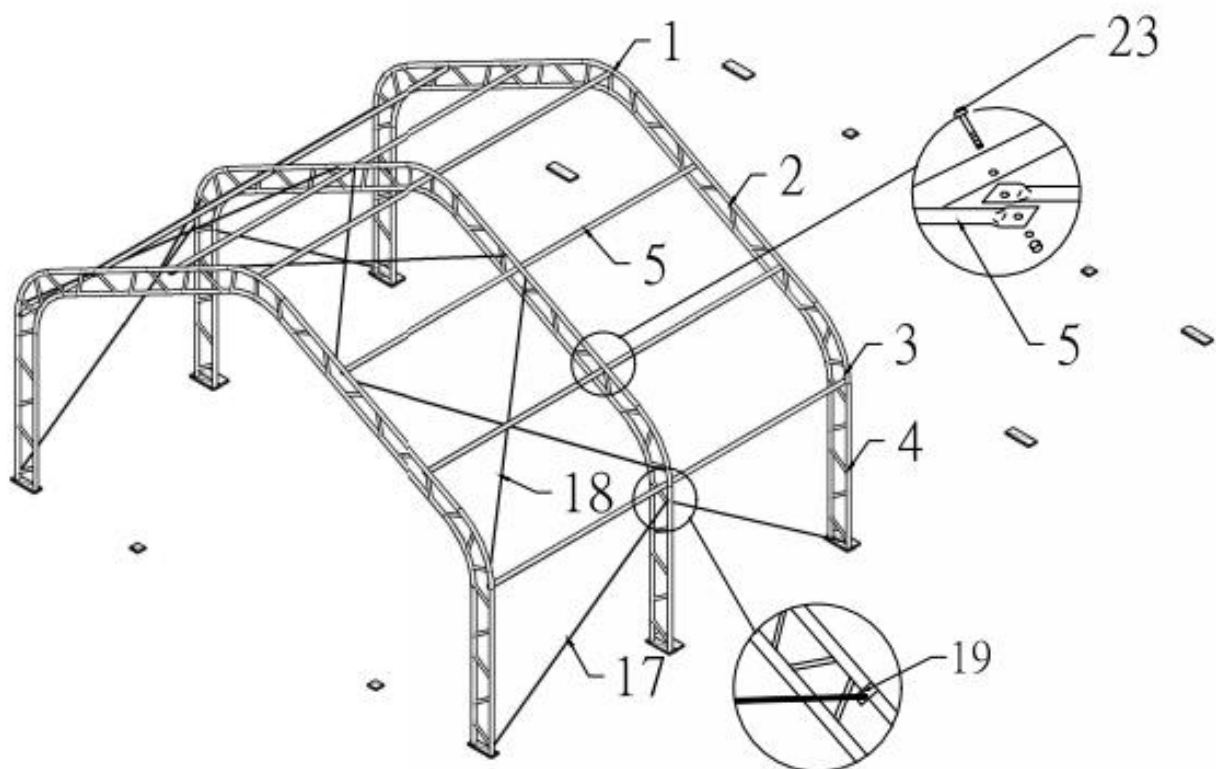
1. Figure 3 shows to connect the Roof bent tube(No.1),Middle bent tube(No.2),Shoulder bent tube(No.3),Standing leg(No.4) use Bolt 8x70(No.22) to be one arch.

. Figure 4& 5 shows to install front and back door frame

**2. Do not install the bolts on the top of the truss where the fabric will rest.**



This page's figure shows to arrangement of arch frame





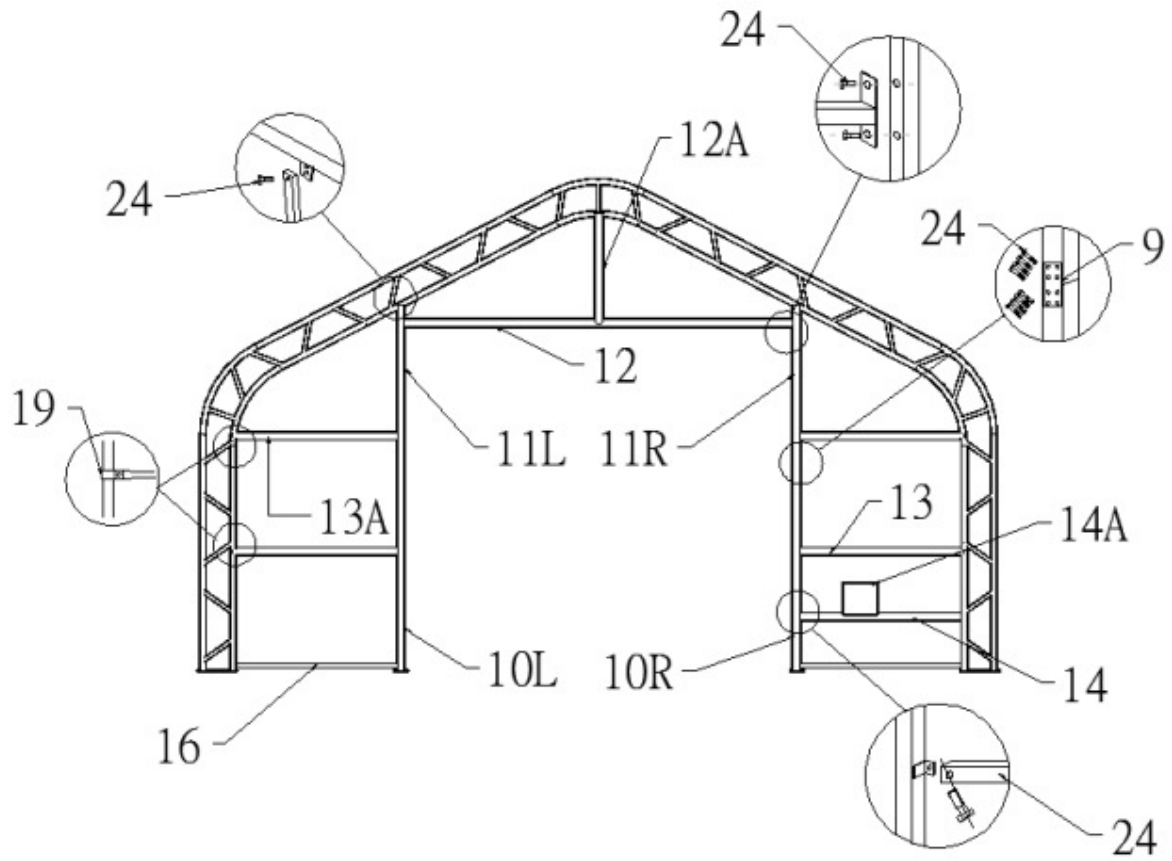


Figure 6: Front door

1. Figure 6 shows to assembly the door frame according to Figure 4.

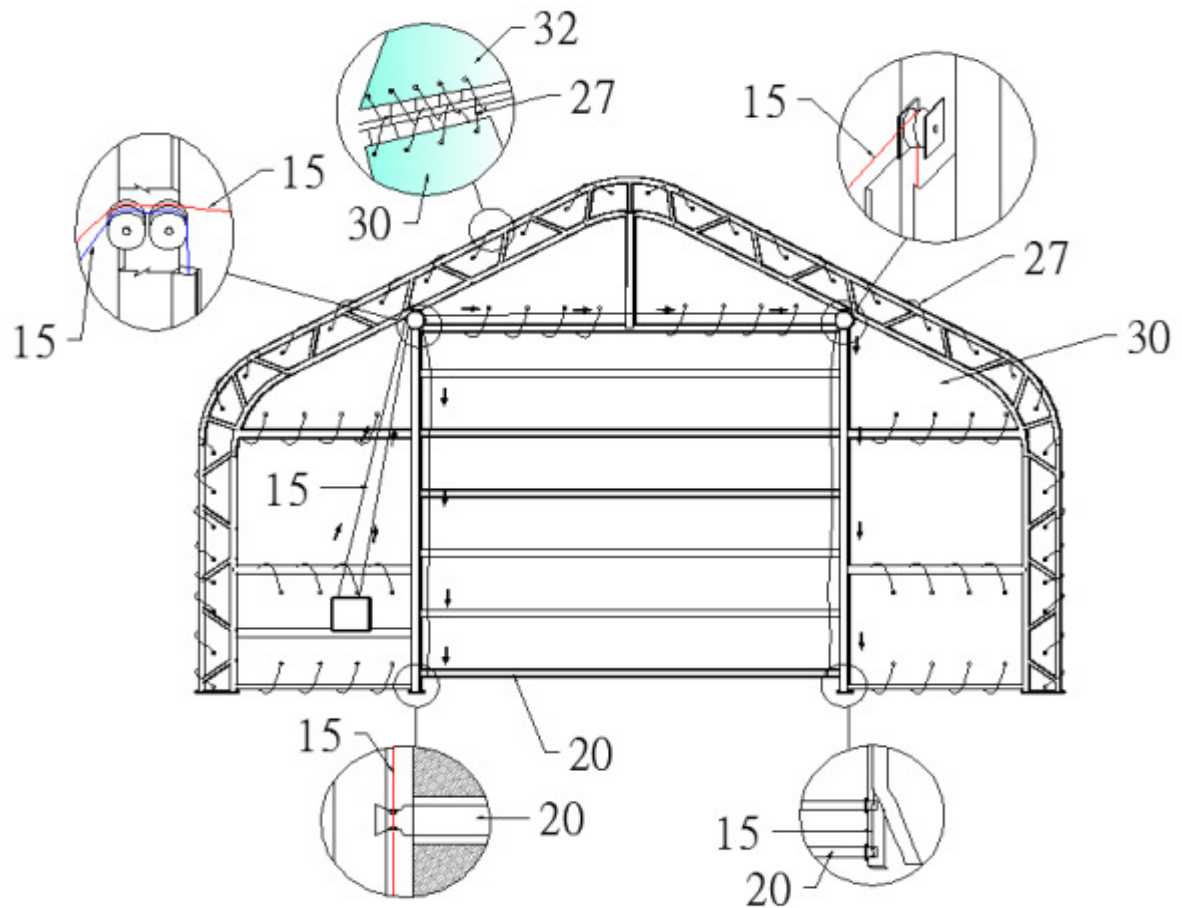


Figure 8: Front Cover

3.Insert the vertical pipe into front and back door through the pockets on covers, assembly the Mechanical wheel, tidy the front door and back door covers by using Rope(No.27), **make the cover well fold to the frame first and then tension the cover.**

### E--- INSTALLING THE ROOF COVER

**NOTE: Do not install the cover onto the frame of your building in high wind conditions.**

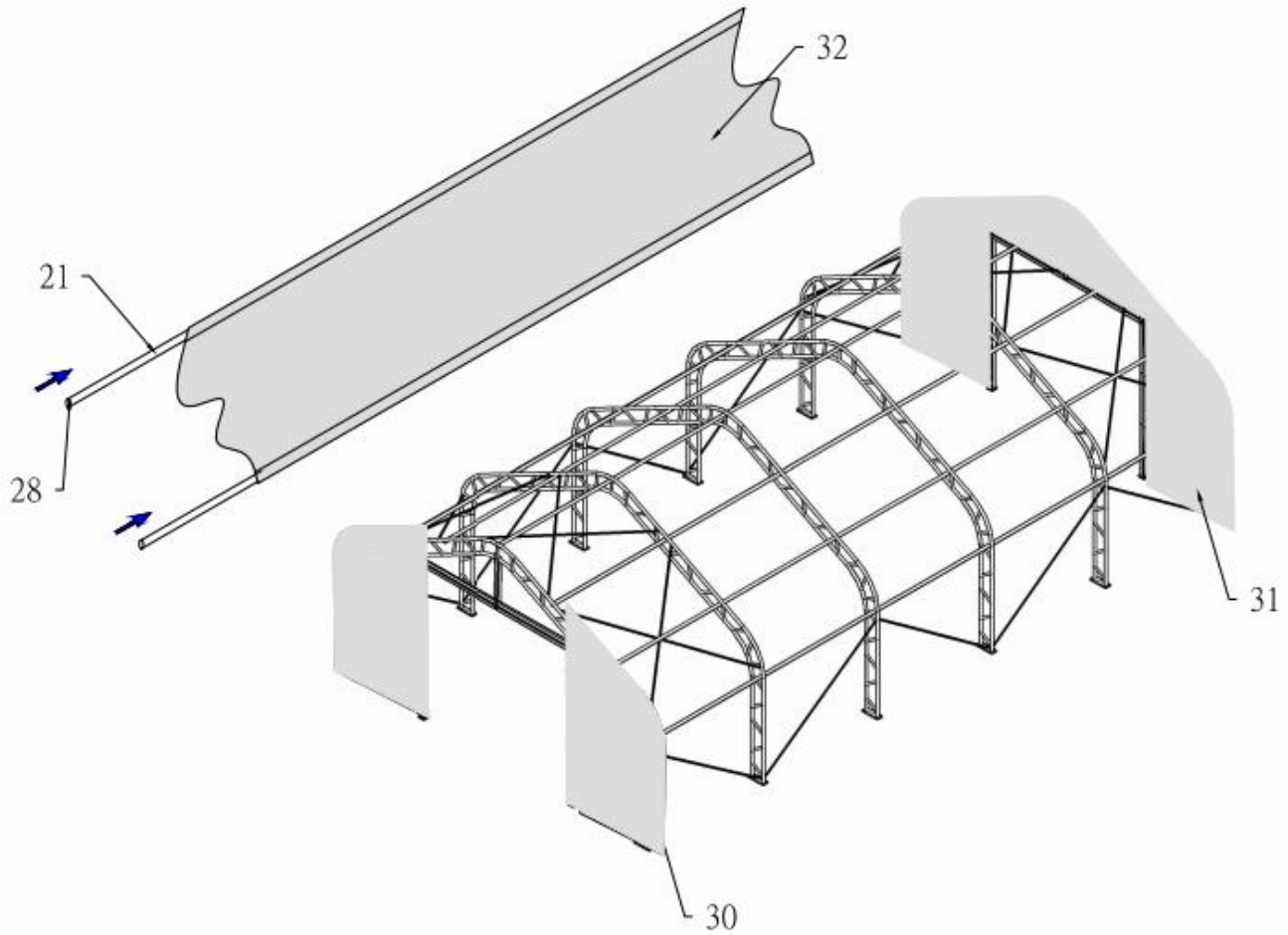


Figure 11

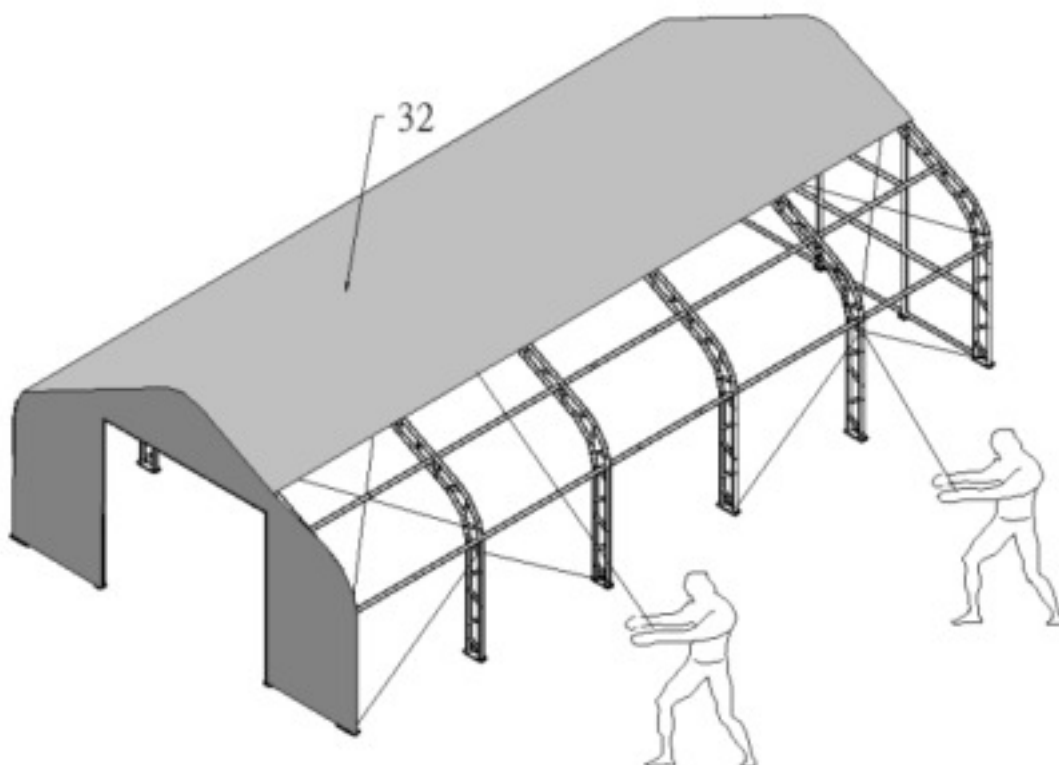


Figure12

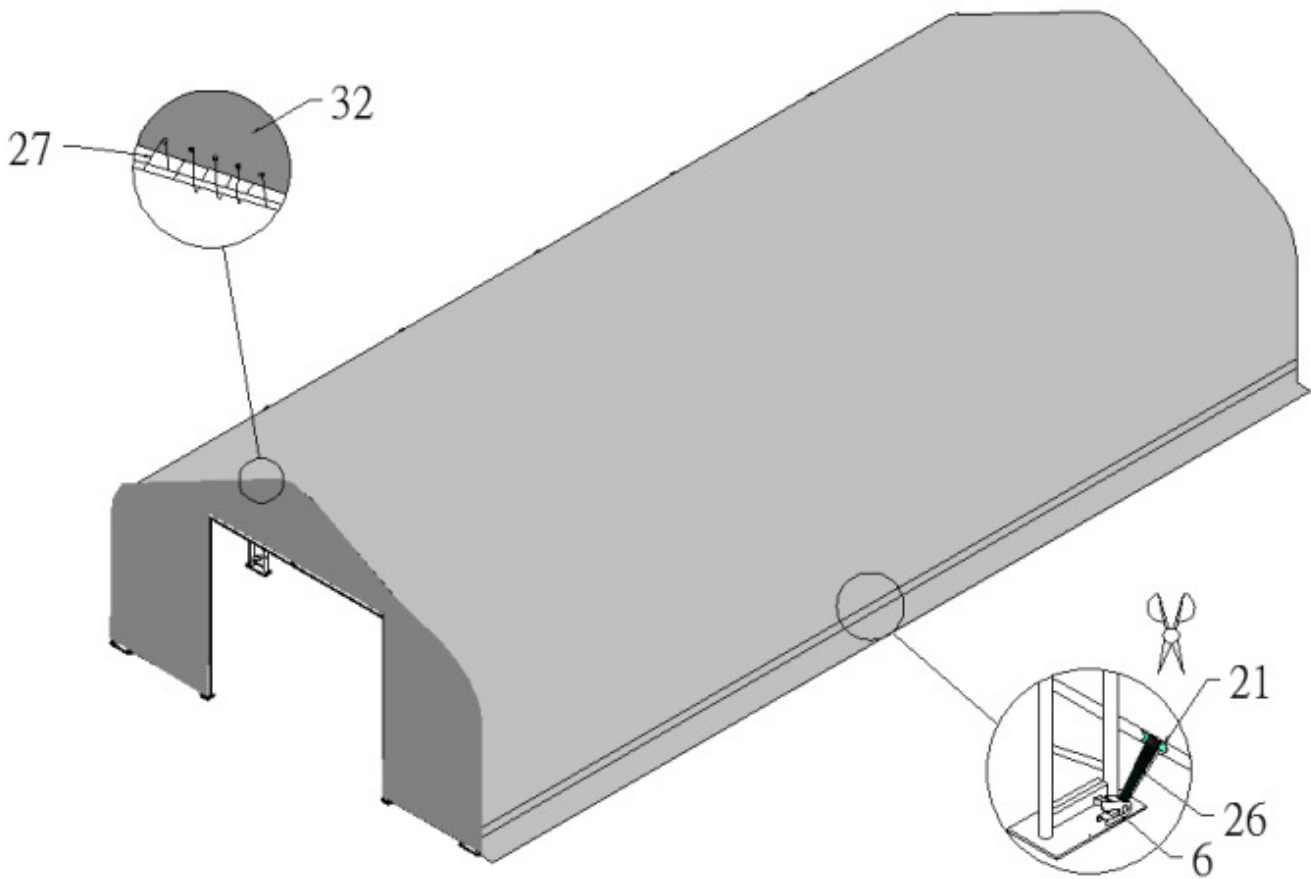


Figure13

1. When Roof cover is over top of Frame assembly (see Figure 11, insert the tensioning tubes (No.21) into pockets along both sides of Roof cover, cut opening for Nylon band for ratchet, find the Nylon band over tube feed end into tie down to ratchet (No.6).
3. The roof cover is tensioned from front to back by the rope lacing to grommet flaps inside the main cover, inside the unit at both front and rear arches. Using the rope provided, lace the main cover grommet flap around the main frame front and rear arch pieces. Start in the top middle of each arch, and lace to each side. Add rope length by tying pieces together or cutting as necessary.

**CONGRATULATIONS: NOW YOUR ASSEMBLY IS COMPLETED.**