

SHELTER

ASSEMBLY MANUAL

Two Car Garage Shelter



Parts List

Part	Description	Qty
1	Roof bent tube	5
2	Incline tube	10
3	Shoulder bent tube	10
4	Standing leg	10
5	Purlin	20
6	Supporting tube for roof frame	5
7	Base Plate	4
8	Base Plate at middle	6
8A	Ratchet	10
9	Tension tube	2
10	Stake peg	20
11	Roof cover	1
12	Front and back cover	2
13	bolt 8*70mm	80
14	bolt 10*80mm	25
15	bolt 8*20mm	10
16	Rope	60 m
17	Nylon Band for Ratchet	10
18	Plastic cap	4
19	Supporting tube for arch frame	2
19A	Clip	4

SPECIFICATION

Width:22 Length: 24 Height: 11 ft

IMPORTANT-----READ MANUAL FIRST

Improper site preparation, Assembly and Maintenance may invalidate warranty and cause unnecessary and costly mistake. If you have any questions contact your local dealer.

For user friendly assembly we have identified each individual component with the part code as indicated in the parts list. Please refer to the part code numbers and drawing to ensure problem free assembly.

It' s necessary to tighten the roof fabric enough to avoid “ hammocks” on the roof and also re-tighten once or twice again after a few months of use. This is important when assembly in cold weather (autumn and winter) because the fabric is stiff then and when we got the sun and warm weather afterwards it will make the fabric “ slack” again and need to be re-tighten before next winter.

It' s the owners responsibility to take of snow immediately if not slide off by itself.

READ ALL INSTRUCTIONS BEFORE ASSEMBLY

1. Keep work area clean. Cluttered areas invite injuries. Do not set up near snow drifts, in slippery places, in high winds, or wet location.
2. Keep children away. All children should be kept away from the work area.
3. Don' t over reach. Keep proper footing and balance at all times.
4. Do not assemble in under the influence of alcohol or drugs. Read warning labels on prescriptions to determine if your judgment or reflexes are impaired while taking drugs. If there is any doubt, do not assemble.
5. Be aware of possible windy conditions; fasten the bases in concrete if these conditions are likely to occur. Remove the cover during hurricane.
6. Be careful with power and heat sources. Do not keep heat sources near the tarpaulin. Do not expose to open flame.
7. Be aware of personal safety during assembly and use. Be careful not to pinch fingers with clips and tubes when assembling; when using makes sure there is adequate ventilation for exhaust and other dangerous fumes.

EQUIPEMNT AND TOOLS FOR INSTALATION

1. Measuring tape
2. String for alignment
3. Step ladder
4. Welder
5. Sledge hammer
6. Wrench
7. Scissors

INSTALLATION PROCESS

A—BASE INSTALLATION

Please refer to the diagram (Figure 1) to place the base plates. (UNIT: m)

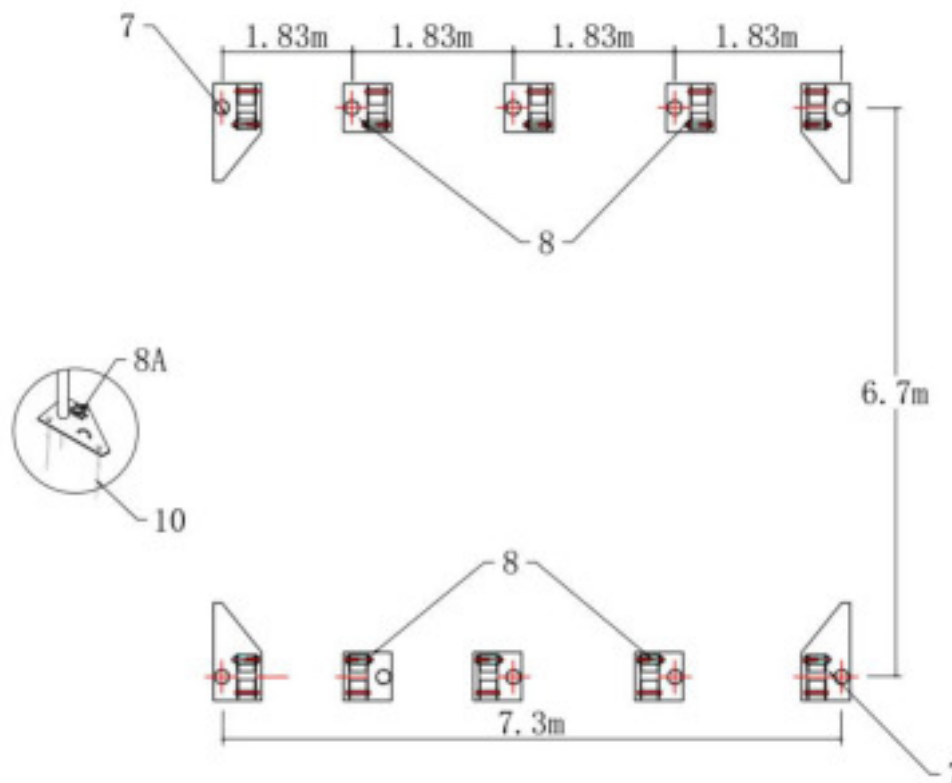
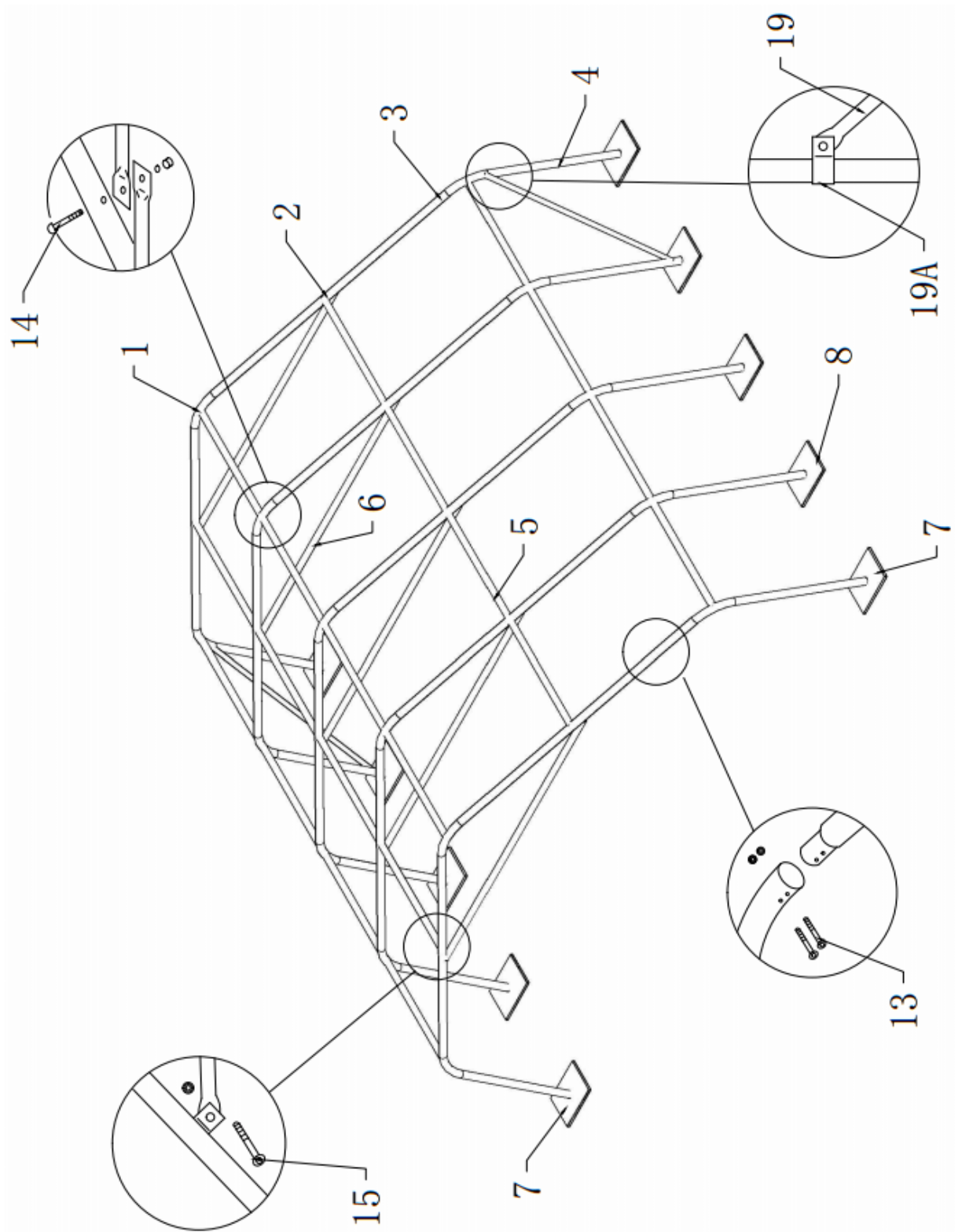


Figure 1

1. The measure is from center to center of the tubes. Referring to the above diagram and confirm the place of the base plates. **ENSURE THAT THE FOUNDATIONS IS SQUARE.**
2. There are two holes on the Base Plates, please using stake Pegs (No.10). **THUS ALL BASE PLATES ARE SECURED.**

Note: The Stake Pegs apply for normal conditions, not suitable to the rock ground, frozen soil and concrete ground.



Model: 222411P Frame Figure 2 (Size: W22' x L24' x H11')

B--FRAME INSTALLATION

1. As **Figure 3** shown find 1 piece of Roof Bent Tube (part code 1), 2 pieces of Incline Tube (part code 2) 2 pieces of Shoulder Bent Tube (part code 3) and 2 pieces of Standing Leg Tube (Part No. 4). To connect them by using Bolt M8x70 (part code 13) , which makes one group of peak arch. Please NOTE the direction of the screw. DO NOT install the bolts on the top of the truss where the fabric will rest.

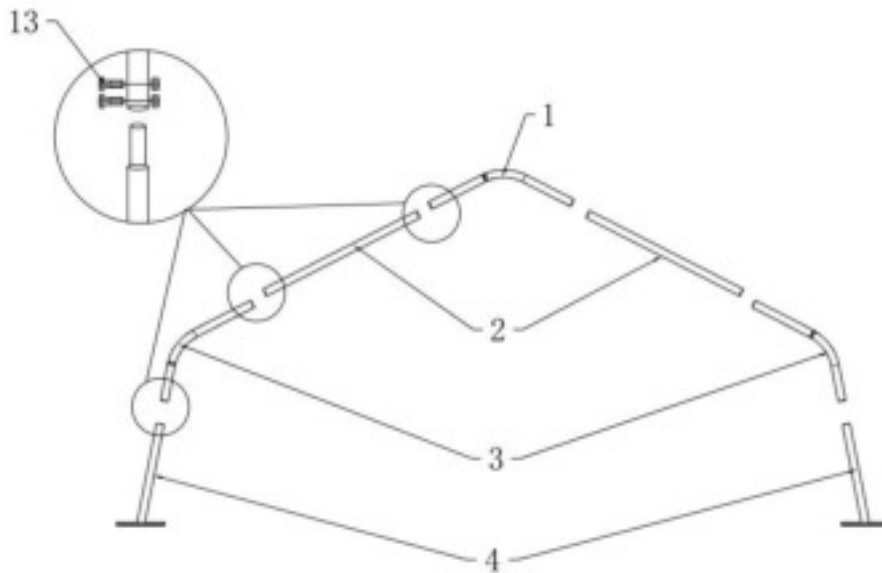


Figure 3

2. Insert two end of the assembled peak arch into one base plate and force the other end of the peak arch into the opposite base plate, fix them using Bolt M8x70mm (part code 13) .

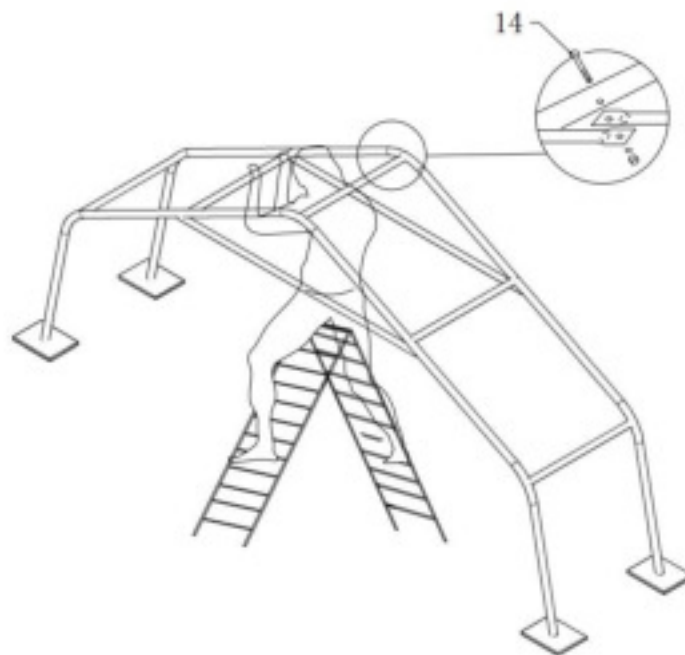


Figure 4

3. After finishing installing the first two groups of peak arches, connect the Connection Tube (part code 5) and Supporting tube for roof frame (Part No 6) onto them by using Bolt M10x80mm (part code 14) . Then install the third group into base plate and connect the connection tubes, there are 5 groups of peak arches and 5 pieces of connection tubes between each two groups. Finally install the Diagonal Bracing Tube (part code 19) using Clip (part code 19A) as Figure No 2. By turns the assembly of the main frame is finished.

C--END DOORS ATTACHED

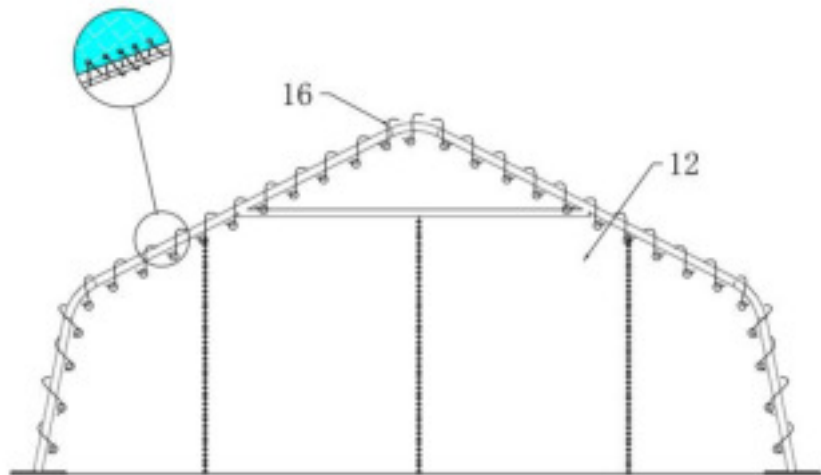


Figure 5

Door frame: Connect all the tube for door frame and fix them by using right bolts.

Put on the front and back covers (Part No. 12) refer to the Figure 5 and knit the cover by using rope (No.16).

D- Install the Roof Cover

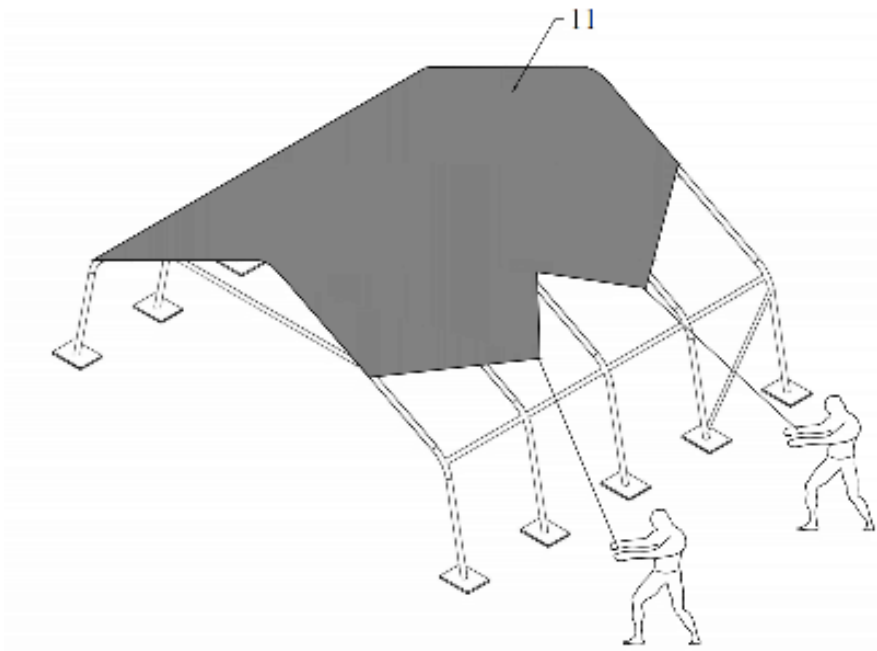


Figure 6

NOTE: DO NOT install the cover onto the frame of your building in high wind conditions. A slight breeze is the most advantageous for cover installation. To take advantage of the breeze, pull the cover up over the arches with the breeze blowing in the cover like a sail filled with air.

1. Put the Roof cover (part code 11) **EVENLY, CARRFULLR AND SLOWLY** on the frame. Adjust the cover so that it is square and evenly centered on the frame.
2. Use Rope (part code 21) to knit the cover on the two sides of the peak arches through all the holes.
3. Cut 3 pockets according to the position of the base plates and insert the Lower Tension Tubes (part code 9) into the pocket of roof cover. Then use the Ratchet (part code 8A) to fix the Lower tension tubes like the **Figure 7**. Finally install the Plastic plug (part code 18) for into two ends of the Lower tension tubes. Loosely secure the Nylon Band (No.17) in the ratchet on the base plates. **DO NOT TIGHTEN**. Finally adjust the cover so that it is square and evenly centered on the frame.

NOW THE INSTALLATION IS FINISHED, PLEASE ASJUST THE BASE PLATES VERY MONTH.

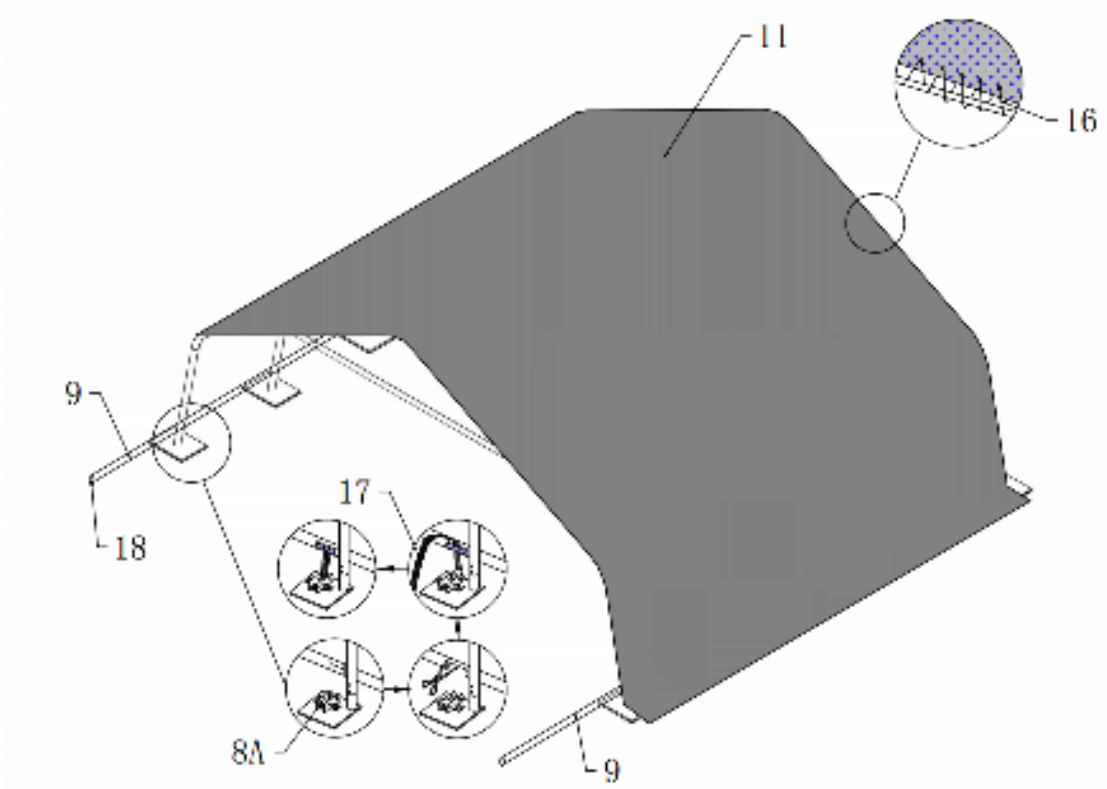


Figure 7

The process is quite easy. But some tightening adjustments will be necessary to produce a flat, tension roof cover. Please adjust the roof cover every month or windy day.