

SHELTER

ASSEMBLY MANUAL

Size: W32 L40 H16



Part List

Parts Code	Description	Qty
1	Roof Bent Tube	7
2	Middle Bent Tube	10
2A	Middle Bent Tube for front and back door	4
3	Lower Bent Tube	10
3A	Lower Bent Tube for front and back door	4
4	Purlin	30
5L	Base Plate for four corners on the left	2
5R	Base Plate for four corners on the right	2
6	Base Plate for front and back door	4
7	Base Plate for inner sidewall	10
7A	Ratchet	14
8	Lower Portal for door frame	4
9	Upper Portal for door frame	4
10	Upper Horizontal Connection Tube for door	4
11	Upper supporting tube for No.2	10
11A	Upper beam for front and back door for No.2A	2
11B	Upper vertical support tube for No.1	5
11C	Wheel for front and back door	4
12	Lower Tension Tube for front and back door	4
13	Diagonal supporting tube for arch frame	4
13A	Clip	8
14	Lower Tension Tube for roof cover (2 sets)	2 groups
15	Door Bracing Tube (2 sets)	2 groups
16	Stake Peg	50
17	Bolt M10x80mm for No.4	35
18	Bolt M8x70mm for No.1,2,2A,3,3A	100
19	Bolt M10x30 mm for No.10&3A, No.9 &2A, No.1&11	31
20	Nylon Rope for ratchet	4
21	Plastic Plug for No.12 & 14	12
22	Roof Cover	1
23	Front and Back Door Cover	2
24	Knitting Rope for fixing cover	1 bundle
25	Nylon Band for No. 7A	14

26	Tension Belt	4
A1	Clip for lacing front cover	2

SPECIFICATION

Width: 32 Height: 16 Length: 40

IMPORTANT-----READ MANUAL FIRST

Improper site preparation, Assembly and Maintenance may invalidate warranty and cause unnecessary and costly mistake. If you have any questions contact your local dealer.

For User Friendly assembly we have identified each individual component with the part code as indicated in the parts list. Please refer to the part code numbers and drawing to ensure problem free assembly.

It's necessary to tighten the roof fabric enough to avoid "hammocks" on the roof and also re-tighten once or twice again after a few months of use. This is important when assembly in cold weather (autumn and winter) because the fabric is stiff then and when we got the sun and warm weather afterwards it will make the fabric "slack" again and need to be re-tighten before next winter.

It's the owners responsibility to take of snow immediately if not slide off by itself.

READ ALL INSTRUCTIONS BEFORE ASSEMBLY

1. Keep work area clean. Cluttered areas invite injuries. Do not set up near snow drifts, in slippery places, in high winds, or wet location.
2. Keep children away. All children should be kept away from the work area.
3. Don't over reach. Keep proper footing and balance at all times.
4. Do not assemble in under the influence of alcohol or drugs. Read warning labels on prescriptions to determine if your judgment or reflexes are impaired while taking drugs. If there is any doubt, do not assemble.
5. Be aware of possible windy conditions; fasten the bases in concrete if these conditions are likely to occur. Remove the cover during hurricane.
6. Be careful with power and heat sources. Do not keep heat sources near the tarpaulin. Do not expose to open flame.
7. Be aware of personal safety during assembly and use. Be careful not to pinch fingers with clips and tubes when assembling: when using makes sure there is adequate ventilation for exhaust and other dangerous fumes.

EQUIPEMNTAND TOOLS FOR INSTALIATION

1. Measuring tape
2. String for alignment
3. Step ladder
4. Welder
5. Sledge hammer
6. Wrench
7. Scissors

INSTALLATION PROCESS

A—BASE INSTALLATION

Please refer to the diagram (Figure 1) to place the base plates.

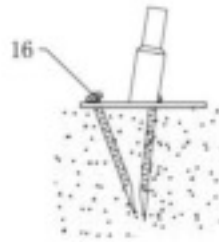
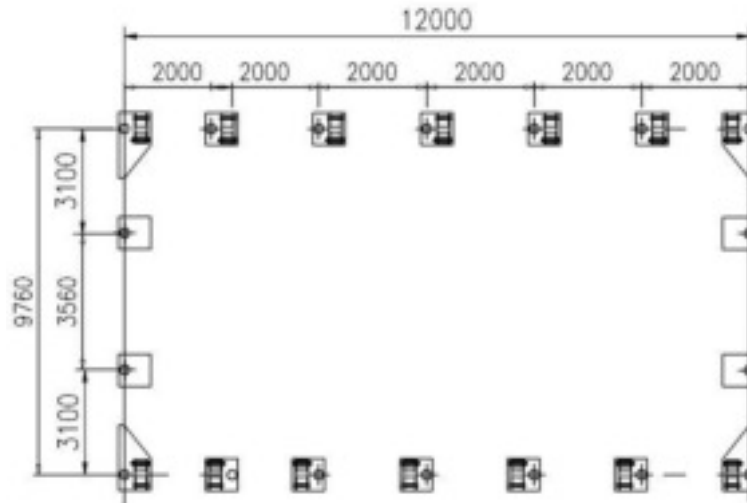


Figure 1

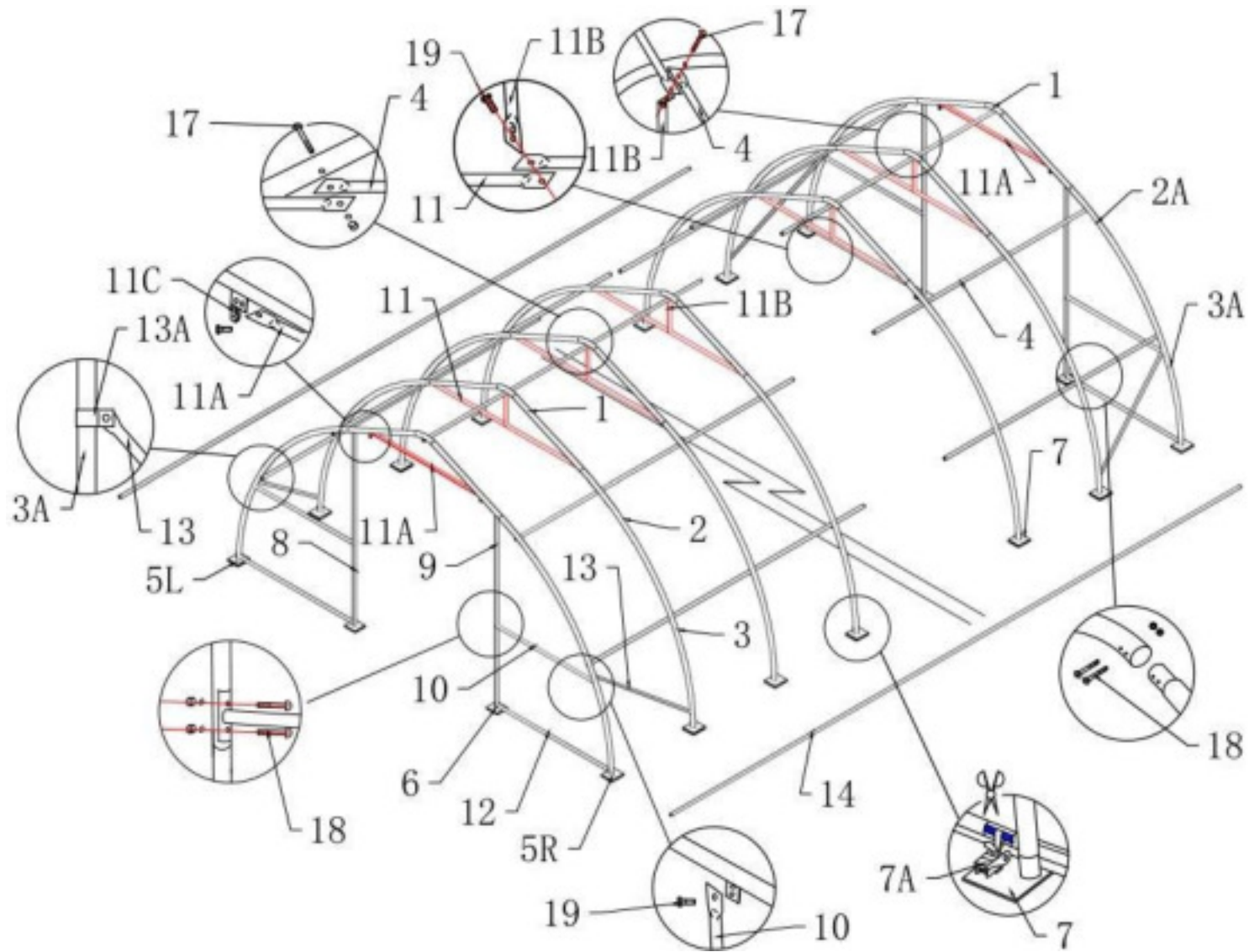
Figure 2

- The measure is from center to center of the tubes. Referring to the above diagram and confirm the place of the base plates. ENSURE THAT THE FOUNDATIONS IS SQUARE.
- There are three holes on the Base Plates (No.5, 7) and two holes on the Base Plate (No.6), for Stake Peg (No.16). THUS ALL BASE PLATES ARE SECURED.

Foundation Placement

As **Figure 2** shows each Base Plate is equipped with three pieces of Stake Peg (No.16).

Note: The Stake Pegs apply for normal conditions, not suitable to the rock ground, frozen soil and concrete ground.



(W32'x H16' xL40') **FRAME SKETCH**

Figure 3

B—FRAME INSTALLATION

1. As Figure 4 shown to find one Roof Bent Tube (No.1), two Middle Bent Tubes (No. 2), Lower Bent Tube (No. 3A) and assemble every group arch with Screw M8x70 (No.18). DO NOT install the screw on the top of the truss where the fabric will rest.

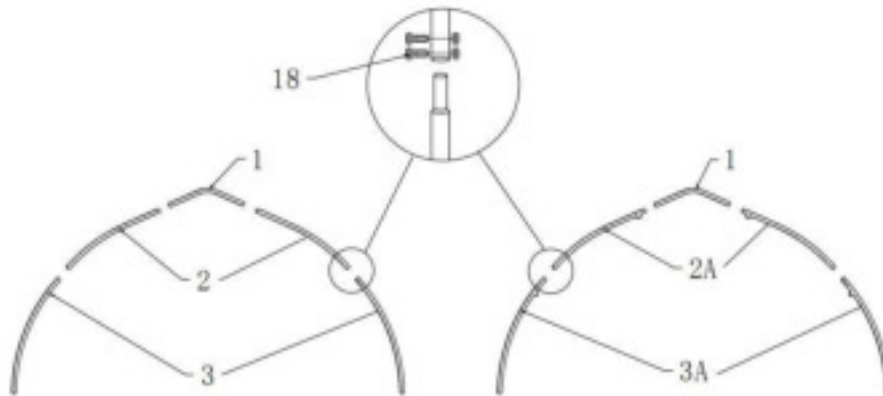


Figure 4

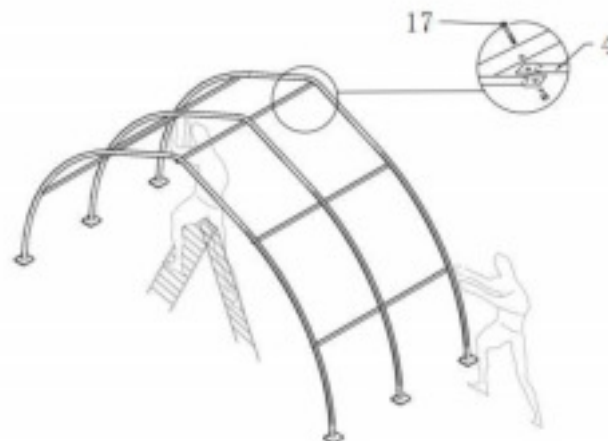


Figure 5

Note: Middle Bent Tube and Lower Bent Tube for two end tubes (No.2A&3A) which are welded with steel plates for upper portal (No.9) and Upper horizontal connection tube for doors (No.10) are different from the middle arch.

2. Lift an assembled arch onto one base plate and force the other end of the arch onto the opposite base plate.

IMPORTANT: THE ARCHED WILL BE WIDER THAN THE BASE PLATES

3. When finish installing the first two arches into the base plates, use Purlins (No.4) to connect them by Screw M10x80 (No.17). Then install the third arch into the third arch into the plate and connect the Purlins. In this turn, fix all other arches and other purlins. Then come to install the front panel and back panel. Find the relative components and assemble them.
4. Connect the Support Crossbeam for roof cover and Diagonal Bracing Tube (No.11) and clip (No.13) for frame as **FRAME SKETCH (figure 3)**.

C—INSTRUCTION THE FRONTAND BACK COVER

1. Install the front and back door frame as Figure 6.

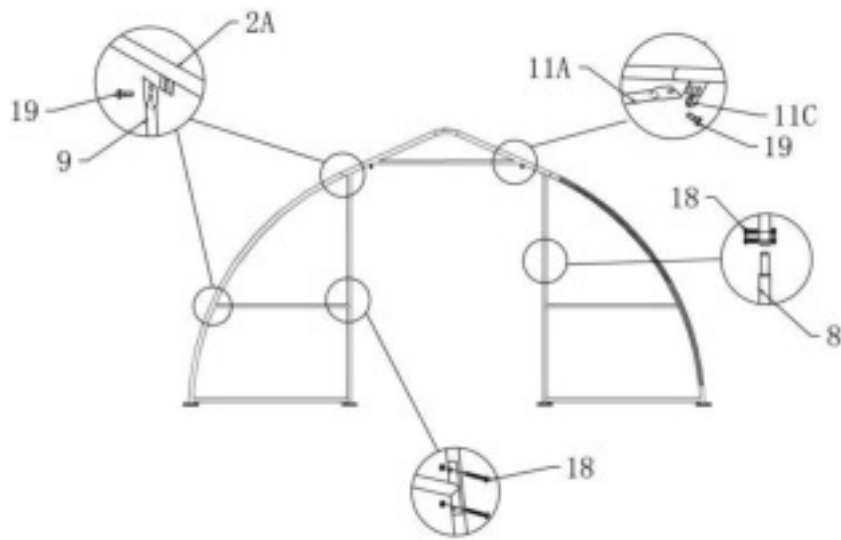


Figure 6

2. Use Knitting Rope (No.24) on Front and Back cover to lace the grommets in the end to the tension tubes evenly. The end covers are tied to the frame (Roof, Middle & Lower Bent Tube) by Knitting Rope. They are also been secured to the end frame (door tube and side rail) by Knitting Rope.
3. **Method of Fastening Front and Back Cover**
Insert the Door Bracing Tube (No.15) into the bottom of Front and Back door cover (No.23). Put the Nylon Rope for ratchet (No.20) into the door cover and the Small Pulley onto Support Crossbeam for roof cover like the Figure 7.Finally fix it onto the Base Plate (No.5L or 5R).
4. Tidy the Back Cover and Front Cover. Fasten the band inside the end of the roof cover, make the cover well fold to the frame and tie the end of the band to the Clips on Base Plates at four corners.

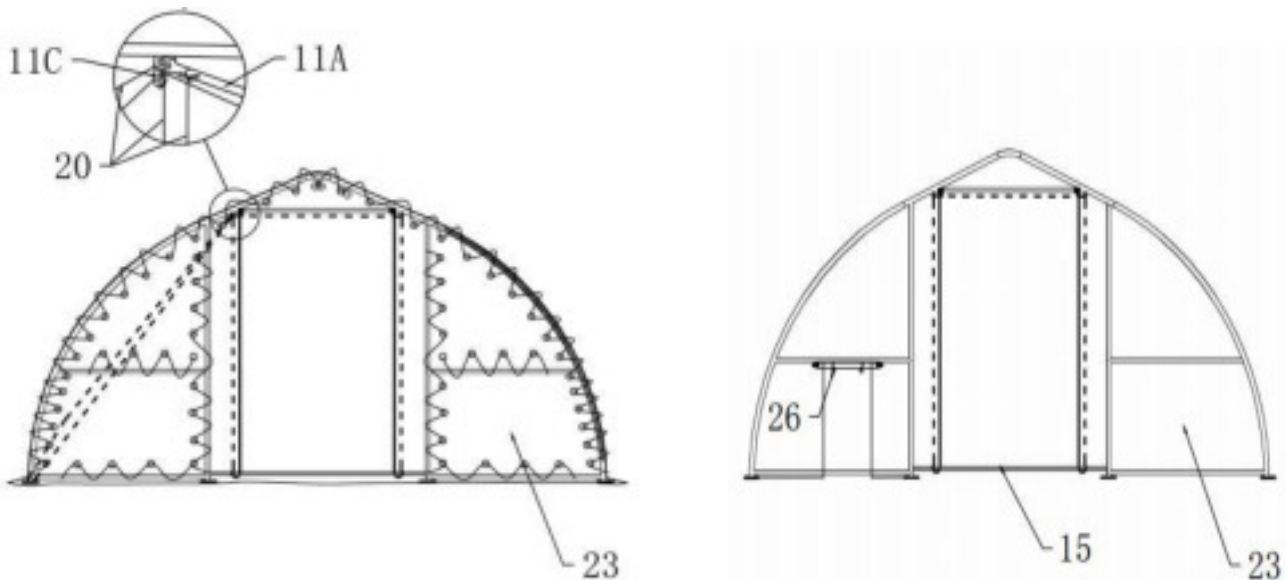


Figure 7

7

D—INSTRUCTION THE ROOF COVER

NOTE: DO NOT install the cover onto the frame of your building in high wind conditions. A slight breeze is the most advantageous for cover installation. To take advantage of the breeze, pull the cover up over the arches with breeze blowing in the cover like a sail filled with air.

1. Assemble Tension Tube for Roof Cover (No.14) before installing the cover.

2. Roll out the roof cover on a ground sheet. Align the cover evenly to each end of the frame.

Note: Be sure doing not pullover the end of the roof cover.

3. Pull the cover over the frame EVENLY, CAREFULLY AND SLOWLY. Insert the tension tubes (No.14) into the cover pipe pockets and loosely secure the Nylon Band (No.25) for ratchet in the Ratchet (No.7A). DO NOT TIGHTEN. Adjust the cover so that it is square and evenly centered on the frame. Put the lower tension tube inside.

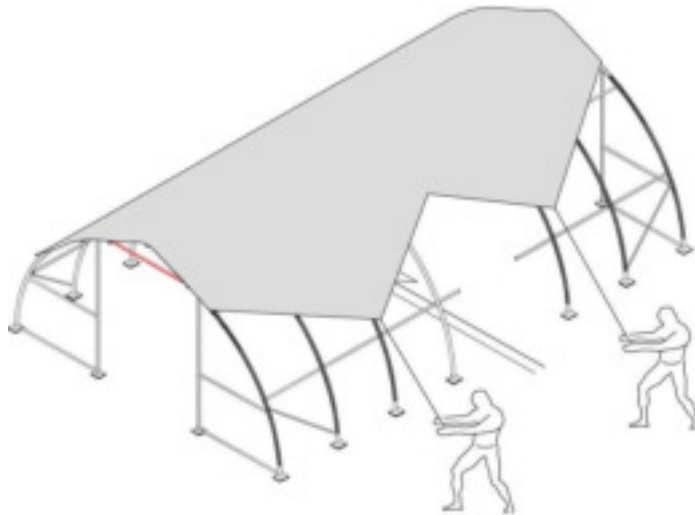


Figure 8

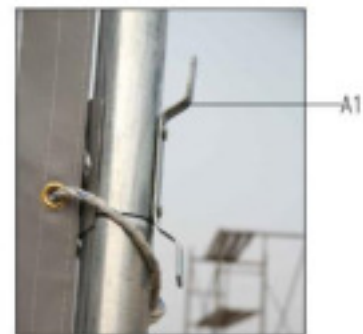
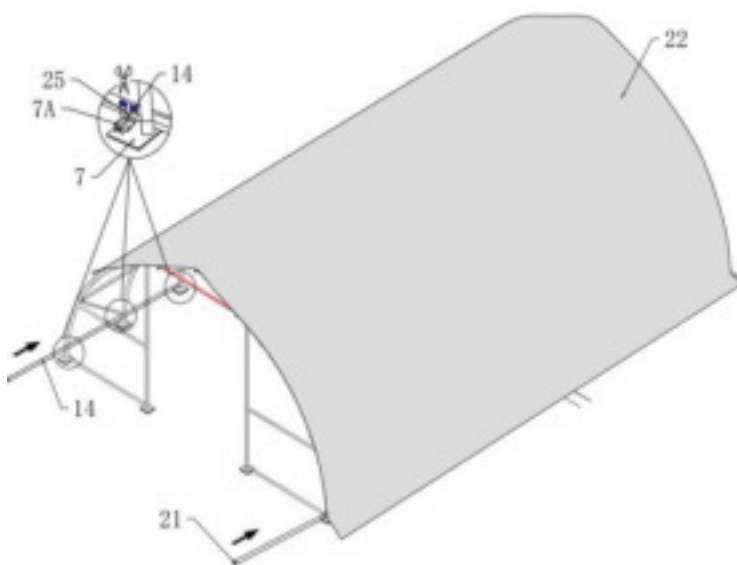


Figure 9

8

Note: The end flaps must overhang evenly at both ends.

4. With the end flaps flipped back and out of the way, use the supplied Knitting Rope (Part No. 24) to tighten the roof cover to the end arches. The rope should be cut as your requirements when using. The recommended procedure is to use separate pieces of rope and start by first lacing the cover from the bottom edges up to the top center. Secure the ropes at the top center and then apply tension as you lace down both sides. Fasten the rope at the bottom edge. Put the

Plastic Plug (No.21) for part No. 12& 14 onto the end of tubes. Drive the Ratchet Tie Down forth and back and then roof cover is tightened. NOW THE INSTALLATION IS FINISHED.

NOTE: DO NOT LEAVE THE ROOF COVER UNATTACHED UNDER ANY CIRCUMSTANCES until the final assembly and tightening has been completed. The process is quite easy. But some tightening adjustments will be necessary to produce a flat, tension ed roof cover. Please adjust the roof cover every month.