

SHELTER

ASSEMBLY MANUAL

Model # W33 x L40 x H12 ft



SPECIFICATION

Width: 33 Length: 40 Height: 12

IMPORTANT-----READ MANUAL FIRST

Improper site preparation, Assembly and Maintenance may invalidate warranty and cause unnecessary and costly mistake. If you have any questions contact your local dealer.

For User Friendly assembly we have identified each individual component with the part code as indicated in the parts list. Please refer to the part code numbers and drawing to ensure problem free assembly.

It's necessary to tighten the roof fabric enough to avoid "hammocks" on the roof and also re-tighten once or twice again after a few months of use. This is important when assembly in cold weather (autumn and winter) because the fabric is stiff then and when we got the sun and warm weather afterwards it will make the fabric "slack" again and need to be re-tighten before next winter.

It's the owners responsibility to take of snow immediately if not slide off by itself.

READ ALL INSTRUCTIONS BEFORE ASSEMBLY

1. Keep work area clean. Cluttered areas invite injuries. Do not set up near snow drifts, in slippery places, in high winds, or wet location.
2. Keep children away. All children should be kept away from the work area.
3. Don't over reach. Keep proper footing and balance at all times.
4. Do not assemble in under the influence of alcohol or drugs. Read warning labels on prescriptions to determine if your judgment or reflexes are impaired while taking drugs. If there is any doubt, do not assemble.
5. Be aware of possible windy conditions; fasten the bases in concrete if these conditions are likely to occur. Remove the cover during hurricane.
6. Be careful with power and heat sources. Do not keep heat sources near the tarpaulin. Do not expose to open flame.
7. Be aware of personal safety during assembly and use. Be carful not to pinch fingers with clips and tubes when assembling: when using makes sure there is adequate ventilation for exhaust and other dangerous fumes.

Parts List

Part Code	Description	Qty
L1	Base Plate	7
R1	Diagonal Base Plate for two corners	7
1	Top bent tube	7
2	Middle bent tube	14
3	Sidewall bent tube	14
4	Connection purlin	30
5	Support tube	8
6	Clip	16
7	Lower tensioning tube for roof cover	2groups
8	Roof cover	1
9	Bolt M8x70	84
10	Bolt M10x80	35
11	Ropes	1dozen
12	ϕ32 Plastic Plug for end of tensioning tube	4
13	Ratchet strap (for tie down ratchet)	14
14	Angle seat	4
15	Ratchet	14

EQUIPEMNT AND TOOLS FOR INSTALIAION

1. Measuring tape
2. String for alignment
3. Step ladder
4. Welder
5. Sledge hammer
6. Wrench
7. Scissors

INSTALLATION PROCESS

A—BASE INSTALLATION

Please refer to the diagram (Figure 1) to place the base plates.

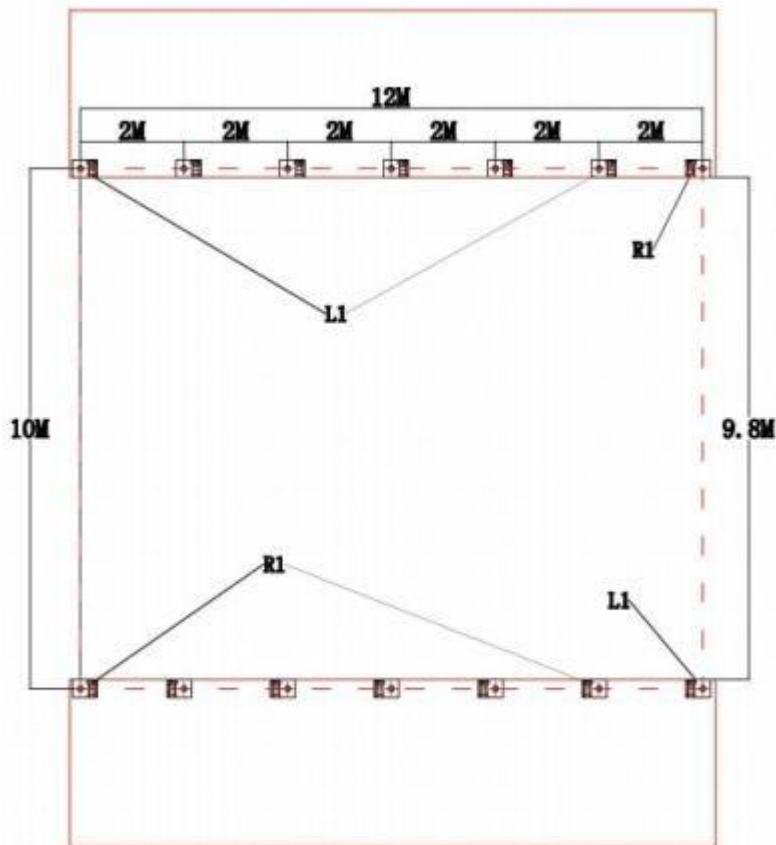


Figure 1

1. The measurement is from center to center of the tubes. Referring to the above diagram and confirm the place of the base plates. ENSURE THAT THE FOUNDATIONS IS SQUARE.
2. All the base plates should be welded on the Containers.

B—FRAME INSTALLATION

Please refer to the diagram (Figure 1) to install the Frame.

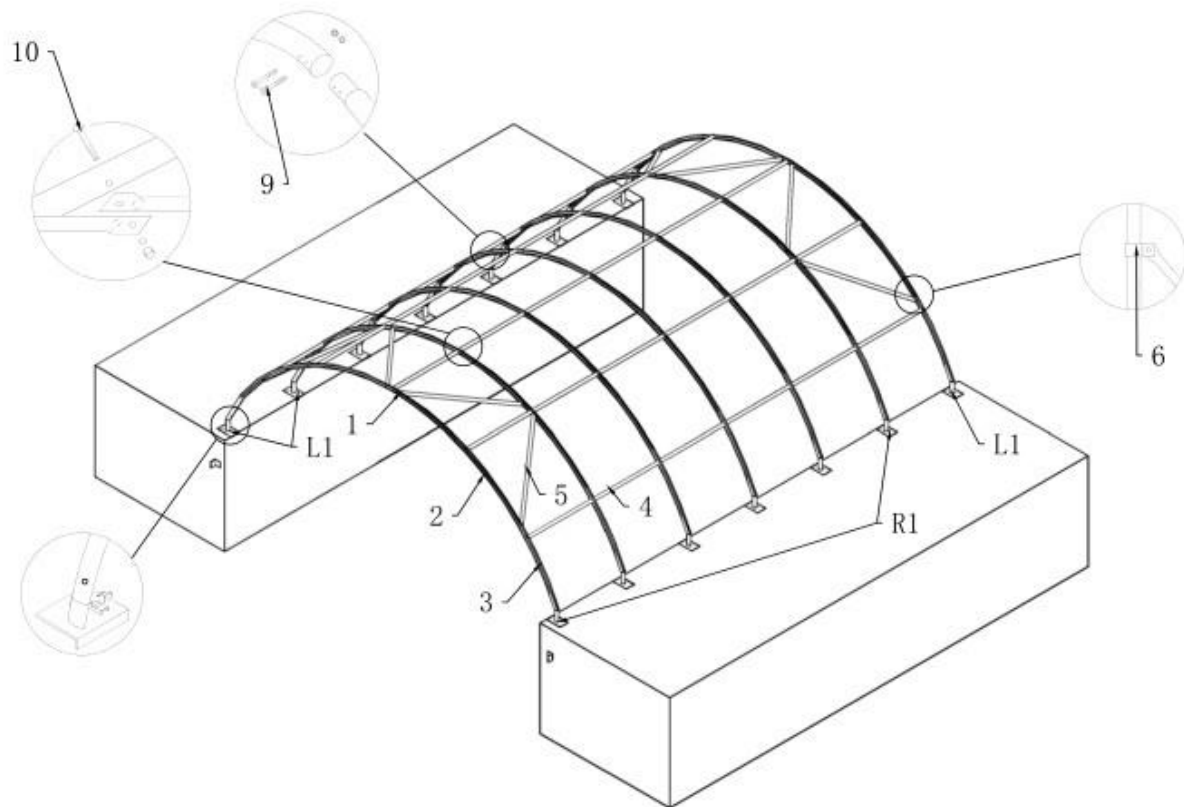


Figure 2

- 1.As Figure 2 shown find Top bent tube (part code 1), Middle bent tube (part code 2) and Sidewall bent tubes (part code 3). To connect them by Screw M8x70 (part code 9) , which makes one group of arches. Please NOTE the direction of the screw. DO NOT install the screws on the top of the truss where the fabric will rest.
- 2.Life an assembled arch into one base plate and force the other end of the arch into the opposite base plate.
- 3.When finishing installing the first two arches, connect the Connection purlins onto them by using screw M10x80 (part code 10) .There are 5 pieces of Connection purlins (part code 4) between two groups. Then install the third arch into base plate and connect the purlins. Finally install the Support tube (part code 5) using Screw M8x70 (part code 9) and Clip (part code 6). By turns the assembly for the frame is finished.

C- INSTRUCTION FOR COVER ATTACHED

Install the Roof Cover

NOTE: DO NOT install the cover onto the frame of your building in high wind conditions. A slight breeze is the most advantageous for cover installation. To take advantage of the breeze, pull the cover up over the arches with the breeze blowing in the cover like a sail filled with air.

1. Put the Roof cover (part code 8) EVENLY, CARRFULLR AND SLOWLY on the frame. Adjust the cover so that it is square and evenly centered on the frame.
2. Using Ropes (part code 11) to knit the cover on the two side arches, finally tie the Roof cover to the Angle seats (part code 14).
3. Cut 6 pockets according to the position of the base plates and put the Lower tensioning tubes for roof cover (part code 7) into the pocket of roof cover. Then use the Ratchet straps (part code 13) to tie down the Lower tensioning tubes like the Figure 3. Finally install the ϕ 32 Plastic plug (part code 12) for all the ends of steel tubes.

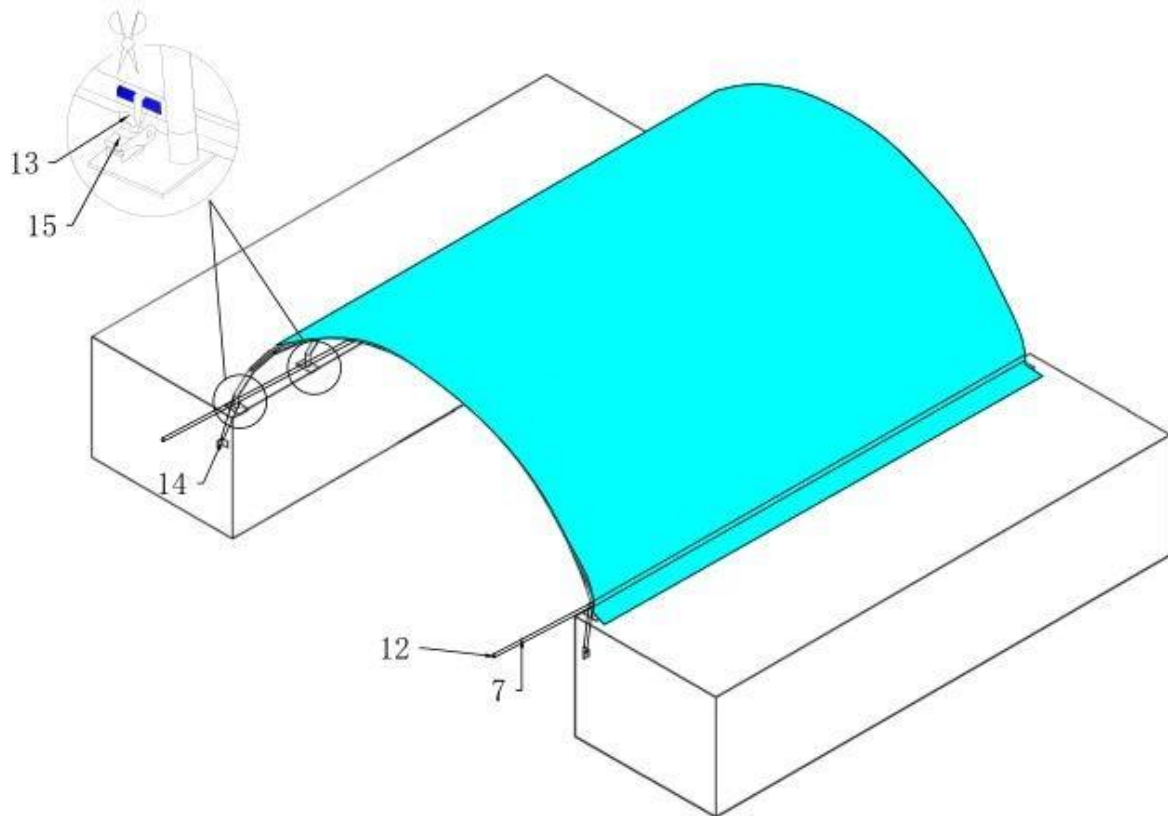


Figure 3

NOTE:

DO NOT LEAVE THE ROOF COVER UNATTACHED UNDER ANY CIRCUMSTANCES until the final assembly and tightening has been completed. The process is quite easy. But some tightening adjustments will be necessary to produce a flat, tensioned roof cover. Please adjust the roof cover every month.

Any question please contact the agent in your city firstly.