

SHELTER ASSEMBLY MANUAL

Model # C604015S

W18x L12x H4.5m



C604015S Parts list		
Part Code	Description	Qty
1	Top Bent Tube	6
2	Side Bent Tube on the top	12
3	Side Bent Tube on the bottom	12
4	Lower Bent Tube	12
5	Purlin	55
6	Top Steel wire	24
7	Clips	60
8LA	Left Base Plate	2
8L	Left Base Plate in the middle	4
8RB	Right Base Plate	2
8R	Right Base Plate in the middle	4
9	Ratchet	16
10	Nylon band for ratchet	12
11	Tensioning Tube	2 Groups
12	Bolts M12x40	204
12A	Tool	2
13	Bolts M10x80	66
14	Roof Cover	1
15	Knitting Rope for Cover	1
16	Plastic Plug	12
17	Base plates for roof cover	4
18	Inner standing leg	12
19LA	Left base plates for left standing leg	2
19L	Middle base plates for left standing leg	4
19RA	Right base plates for right standing leg	2
19R	Middle base plates for right standing leg	4
20	Bolts M8x80	24
24	PVC tube	2 Groups
25	Angle iron for base plate	12



SPECIFICATION

Length: 18m

Width: 12m

Height: 4.5m

IMPORTANT -----READ MANUAL FIRST

Improper site preparation, Assembly and Maintenance may invalidate warranty and cause unnecessary and costly mistake. If you have any questions contact your local dealer.

For User Friendly assembly we have identified each individual component with the part code as indicated in the parts list. Please refer to the part code numbers and drawing to ensure problem free assembly.

It's necessary to tighten the roof fabric enough to avoid "hammocks" on the roof and also re-tighten once or twice again after a few months of use. This is important when assembly in cold weather (autumn and winter) because the fabric is stiff then and when we got the sun and warm weather afterwards it will make the fabric "slack" again and need to be re-tighten before next winter.

It's the owners responsibility to take of snow immediately if not slide off by itself.

READ ALL INSTRUCTIONS BEFORE ASSEMBLY

1. Keep work area clean. Cluttered areas invite injuries. Do not set up near snow drifts, in slippery places, in high winds, or wet location.
2. Keep children away. All children should be kept away from the work area.
3. Don't over reach. Keep proper footing and balance at all times.
4. Do not assemble in under the influence of alcohol or drugs. Read warning labels on prescriptions to determine if your judgment or reflexes are impaired while taking drugs. If there is any doubt, do not assemble.
5. Be aware of possible windy conditions; fasten the bases in concrete if these conditions are likely to occur. Remove the cover during hurricane.
6. Be careful with power and heat sources. Do not keep heat sources near the tarpaulin. Do not expose to open flame.
7. Be aware of personal safety during assembly and use. Be careful not to pinch fingers with clips and tubes when assembling: when using makes sure there is adequate ventilation for exhaust and other dangerous fumes.

EQUIPEMNT AND TOOLS FOR INSTALIAATION

1. Measuring tape
2. String for alignment
3. Step ladder
4. Welder
5. Sledge hammer
6. Wrench
7. Scissors

INSTALLATION PROCESS

A—BASE INSTALLATION

Please refer to the diagram (Figure 1) to place the base plates. UNIT: mm

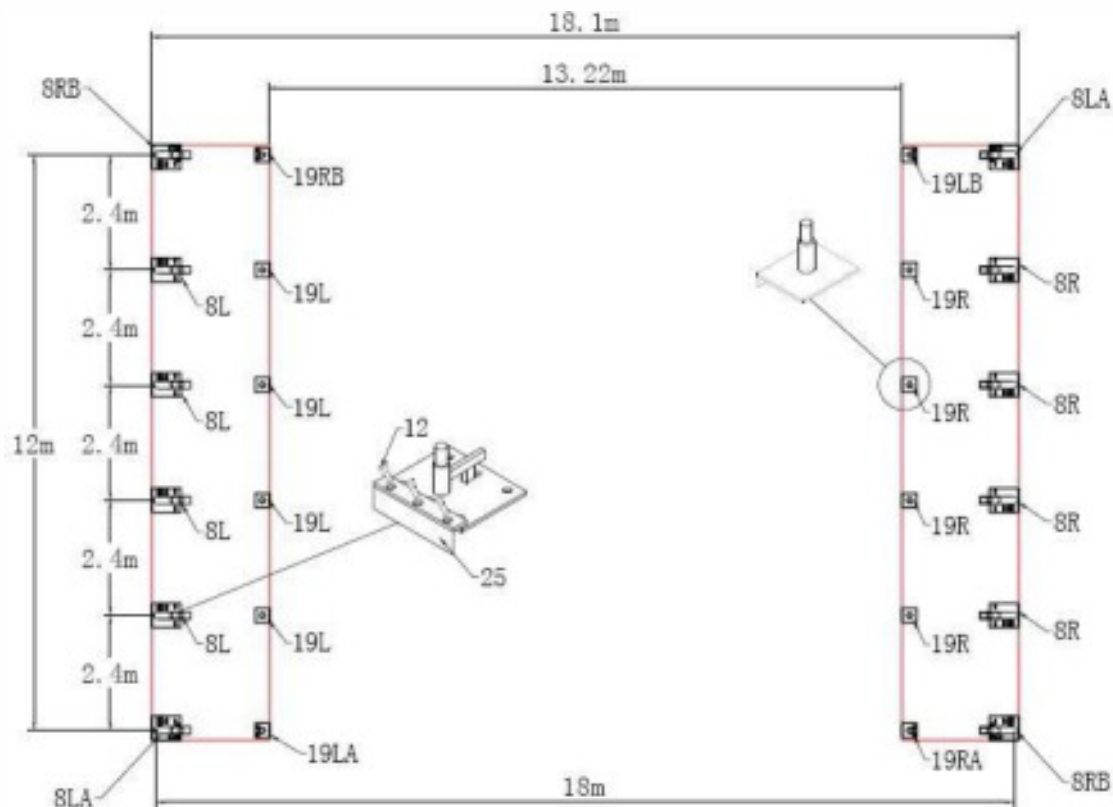


Figure 1

1. The measure if from center to center of the tubes. Referring to the above diagram and confirm the place of the base plates. ENSURE THAT THE FOUNDATIONS IS SQUARE.
2. All the base plates need to use welder to be welded on the Containers.

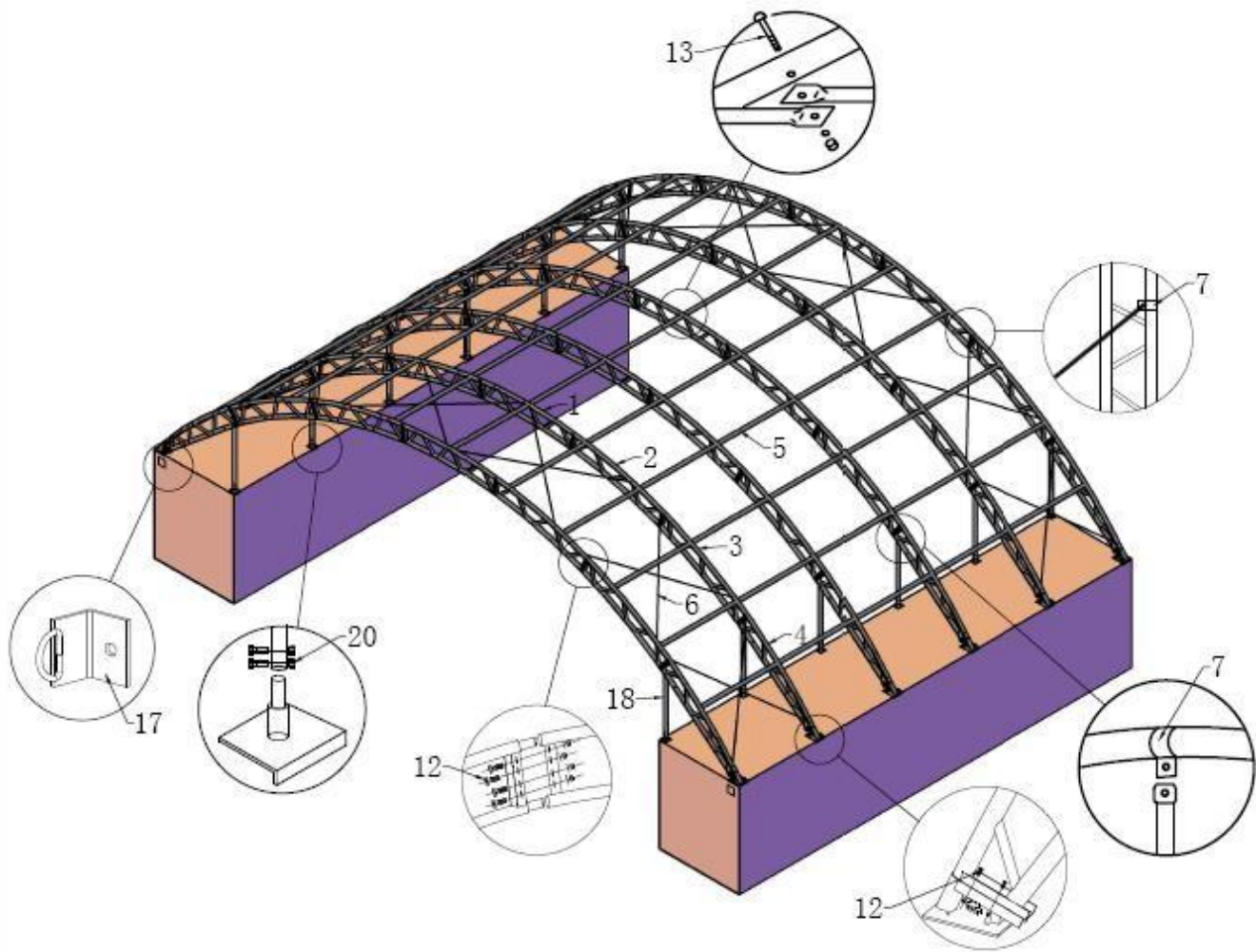


Figure 2: **Size: L18 x W12 x H4.5m**

B— FRAME INSTALLATION

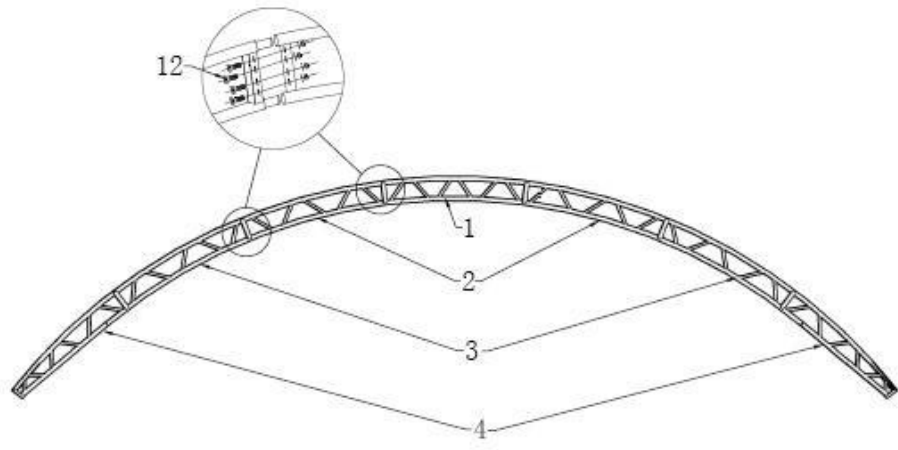


Figure 3

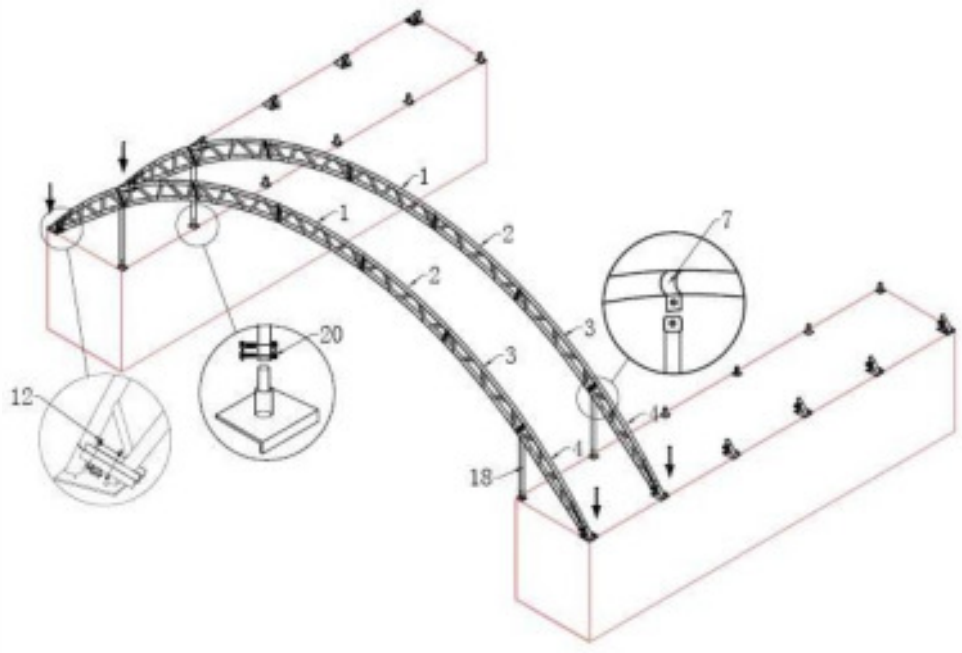


Figure 4

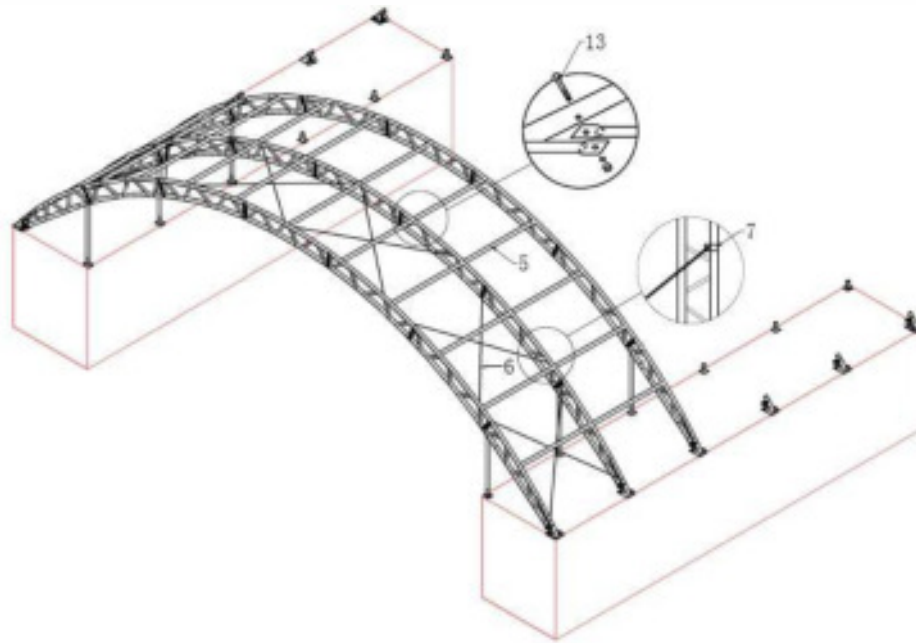


Figure 5

D—INSTRUCTION THE ROOF COVER

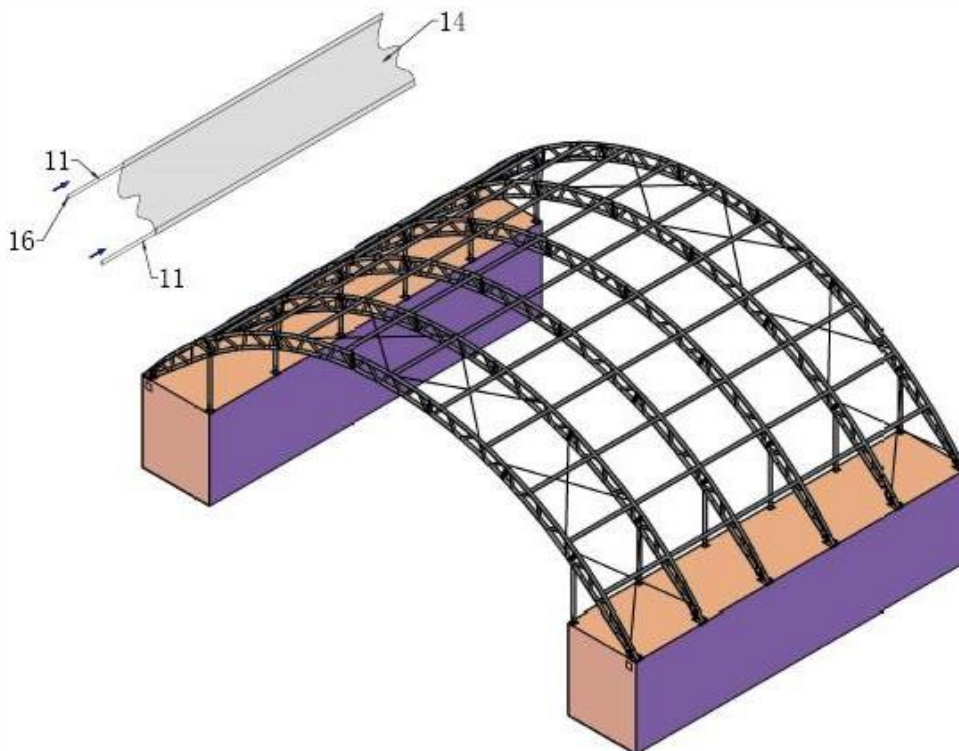


Figure 6

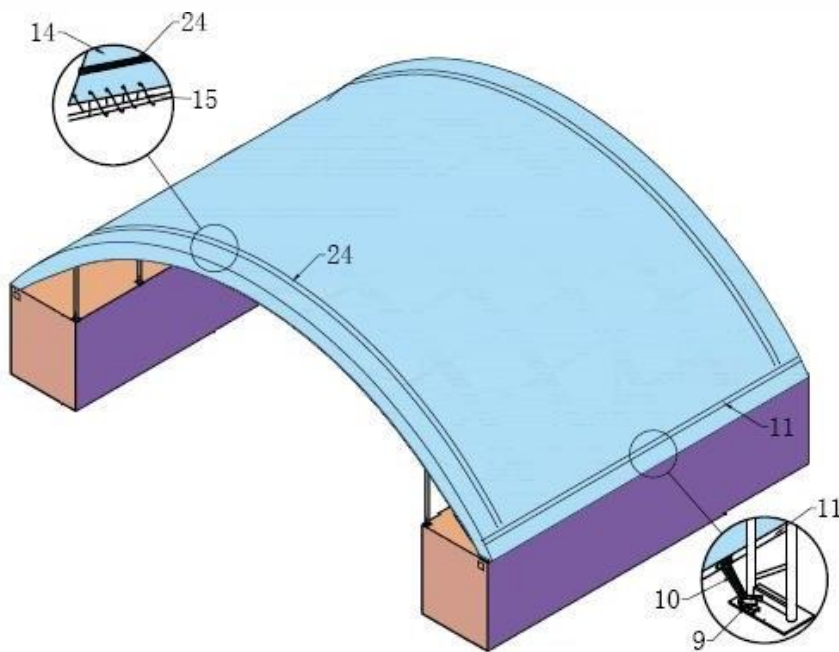
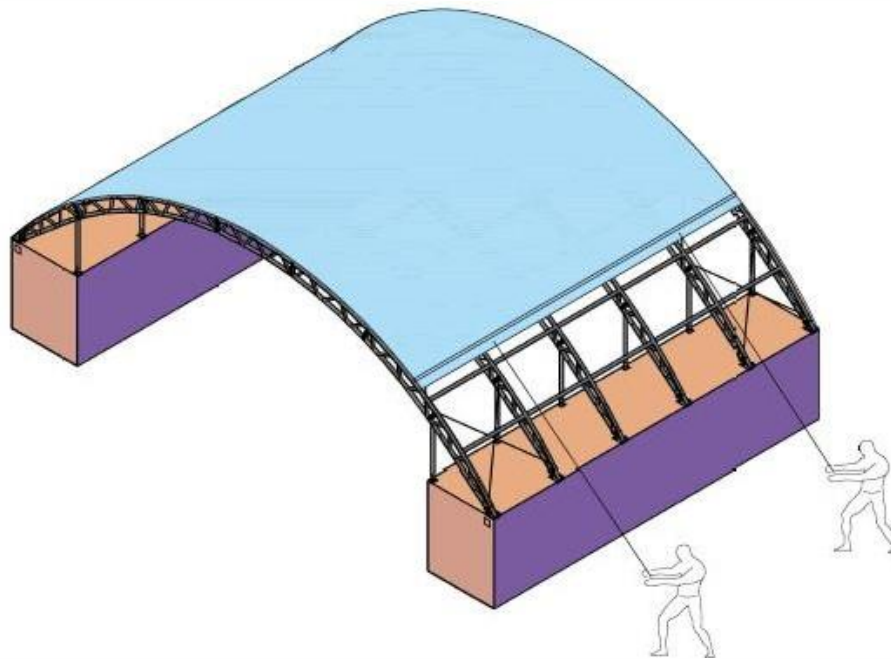


Figure 7



NOT install the cover onto the frame of your building in high wind conditions. A slight breeze is the most advantageous for cover installation. To take advantage of the breeze, pull the cover up over the arches with the breeze blowing in the cover like a sail filled with air.

NOTE: DO NOT LEAVE THE ROOF COVER UNATTACHED UNDER ANY CIRCUMSTANCES until the final assembly and tightening has been completed. The process is quite easy. But some tightening adjustments will be necessary to produce a flat, tension ed roof cover. Please adjust the roof cover every month.