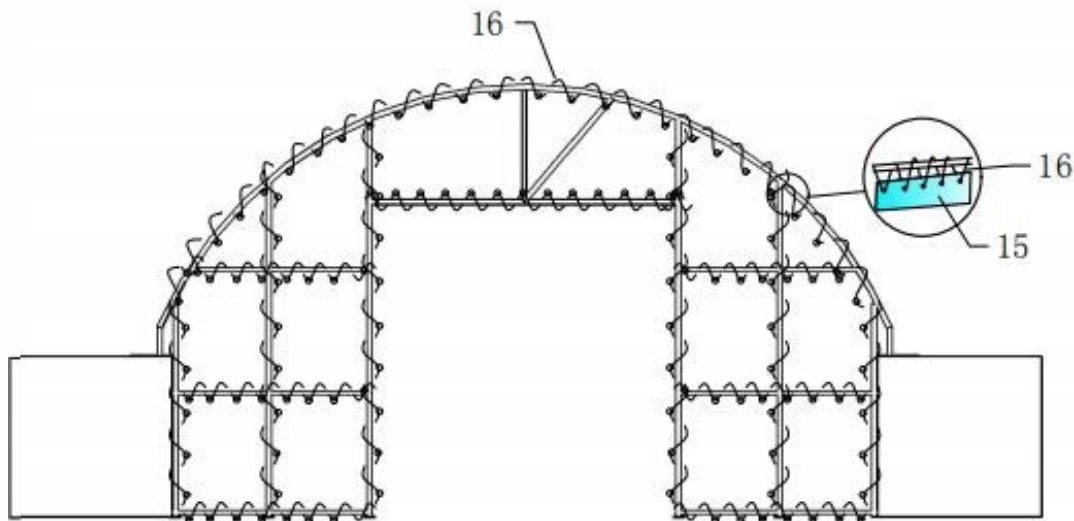


# SHELTER

# ASSEMBLY MANUAL

Model #C4040 Back wall & frame of  
Container Shelter



C4040 Back wall & frame

## **SPECIFICATION**

Width:40ft                  Length:40ft                  Height:15ft

## **IMPORTANT— READ MANUAL FIRST**

Improper site preparation, Assembly and Maintenance may invalidate warranty and cause unnecessary and costly mistake. If you have any questions contact your local dealer.

For User Friendly assembly we have identified each individual component with the part code as indicated in the parts list. Please refer to the part code numbers and drawing to ensure problem free assembly.

It's necessary to tighten the roof fabric enough to avoid "hammocks" on the roof and also re-tighten once or twice again after a few months of use. This is important when assembly in cold weather (autumn and winter) because the fabric is stiff then and when we got the sun and warm weather afterwards it will make the fabric "slack" again and need to be re-tighten before next winter.

It's the owners responsibility to take of snow immediately if not slide off by itself.

## **READ ALL INSTRUCTIONS BEFORE ASSEMBLY**

1. Keep work area clean. Cluttered areas invite injuries. Do not set up near snow drifts, in slippery places, in high winds, or wet location.
2. Keep children away. All children should be kept away from the work area.
3. Don't over reach. Keep proper footing and balance at all times.
4. Do not assemble in under the influence of alcohol or drugs. Read warning labels on prescriptions to determine if your judgment or reflexes are impaired while taking drugs. If there is any doubt, do not assemble.
5. Be aware of possible windy conditions; fasten the bases in concrete if these conditions are likely to occur. Remove the cover during hurricane.
6. Be careful with power and heat sources. Do not keep heat sources near the tarpaulin. Do not expose to open flame.
7. Be aware of personal safety during assembly and use. Be careful not to pinch fingers with clips and tubes when assembling; when using makes sure there is adequate ventilation for exhaust and other dangerous fumes.

## Parts List

Part Code	Description	Qty
1	Base plates for winch door	2
2	Side base plates	2
2A	Lower standing leg at left	2
3L	Bottom standing leg for front endwall at left	3
3R	Bottom middle standing leg for front endwall at right	1
4	Top middle standing leg for front endwall	2
5	Top side standing leg for front endwall	2
6L	Bottom door post at left	1
6R	Bottom door post at right	1
7	Middle door post	2
8	Top door post	2
9	Door beam	2
9A	Door boom	1
10	Horizontal tube for front endwall	6
10A	Horizontal tube for front endwall shoulder	2
11	Square tube for winch door	1
12	Mechanical wheel with wire rope	1
13	Bottom tension tube for front endwall	4
14	Clips	6
14A	Welded metal plate	2
14B	Single hole angle iron	1
15	The front door vertical tube	9 Groups
16	Stake peg	12
17	Splint iron	12
18	Carriage Bolts M10*90	24
19	Bolts M10*90	62
20	Carriage Bolts M12*100	8
21	Bolts M10*30	2

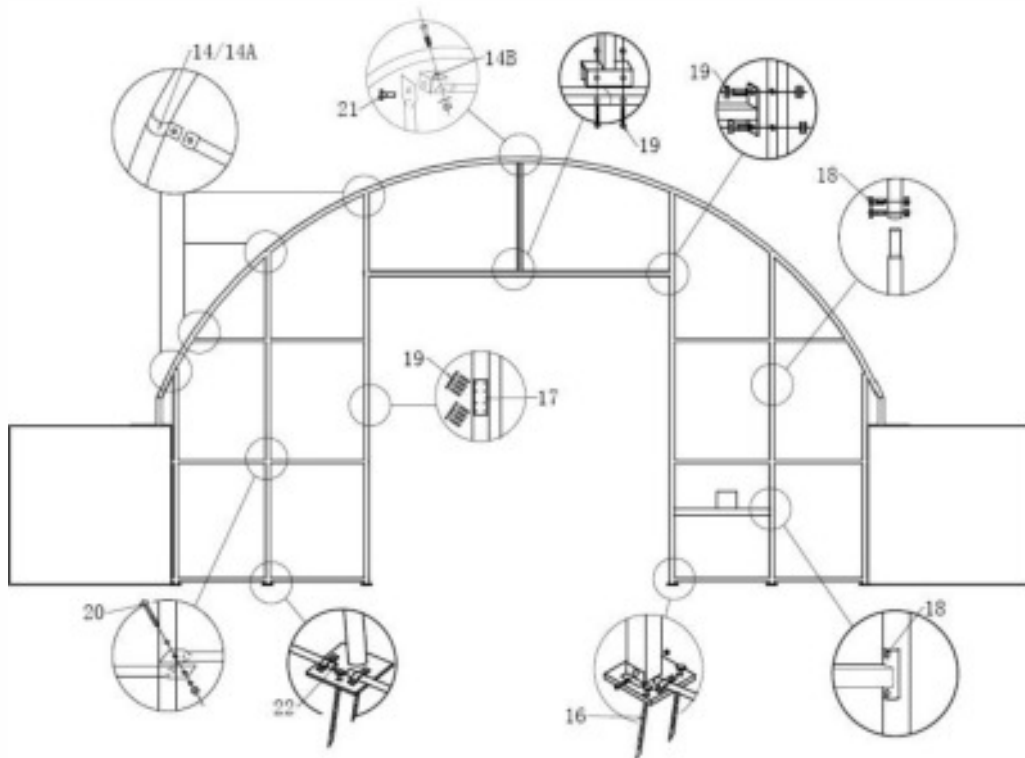
22	Plastic Plug	8
23	Rope for pull door	1
24	Front cover	1
25	Added legs	4
26	Added door frame	2

## EQUIPEMNT AND TOOLS FOR INSTALIAATION

1. Measuring tape
2. String for alignment
3. Step ladder
4. Welder
5. Sledge hammer
6. Wrench
7. Scissors

## INSTALLATION PROCESS

### A—FRAME INSTALLATION



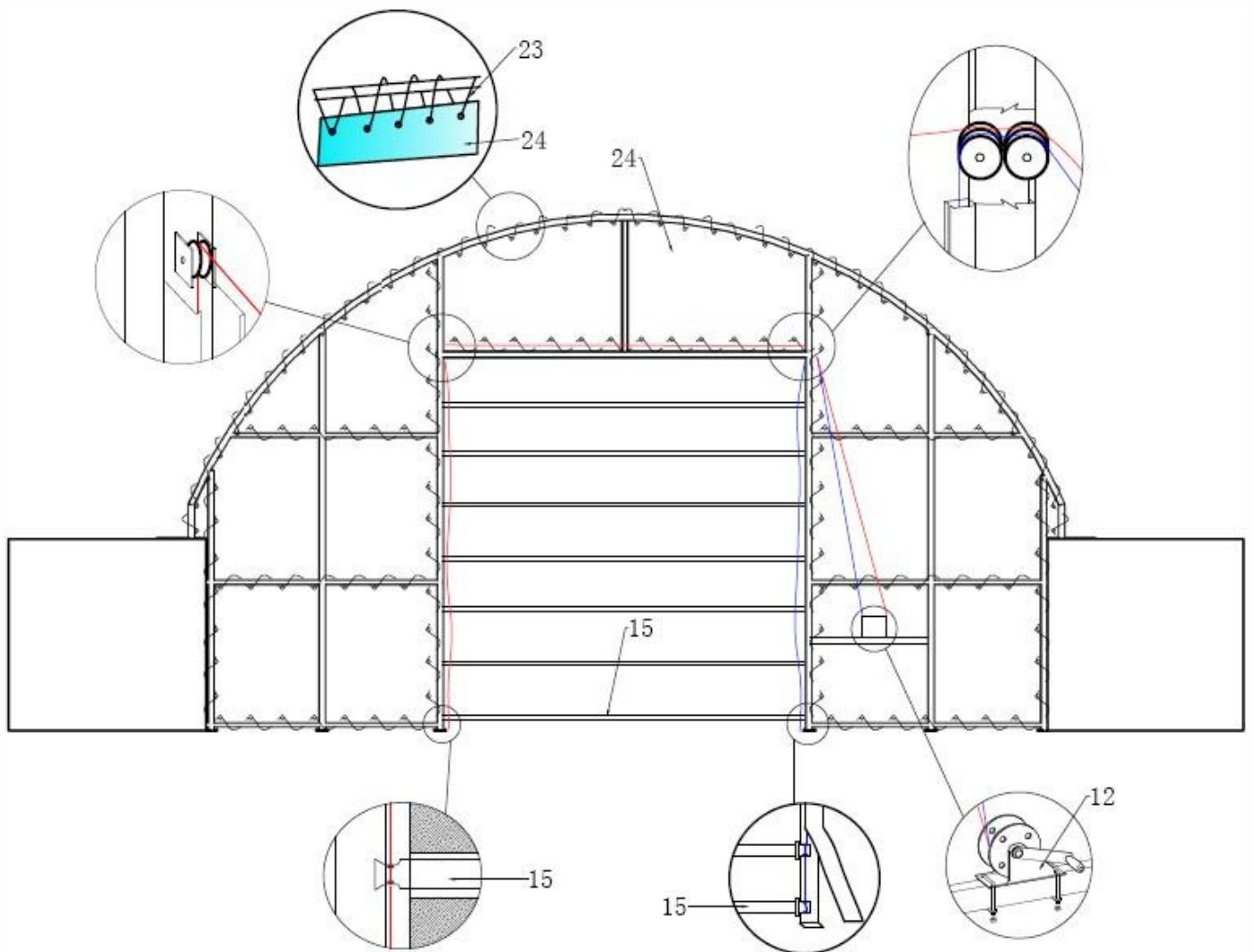
**Figure 1**

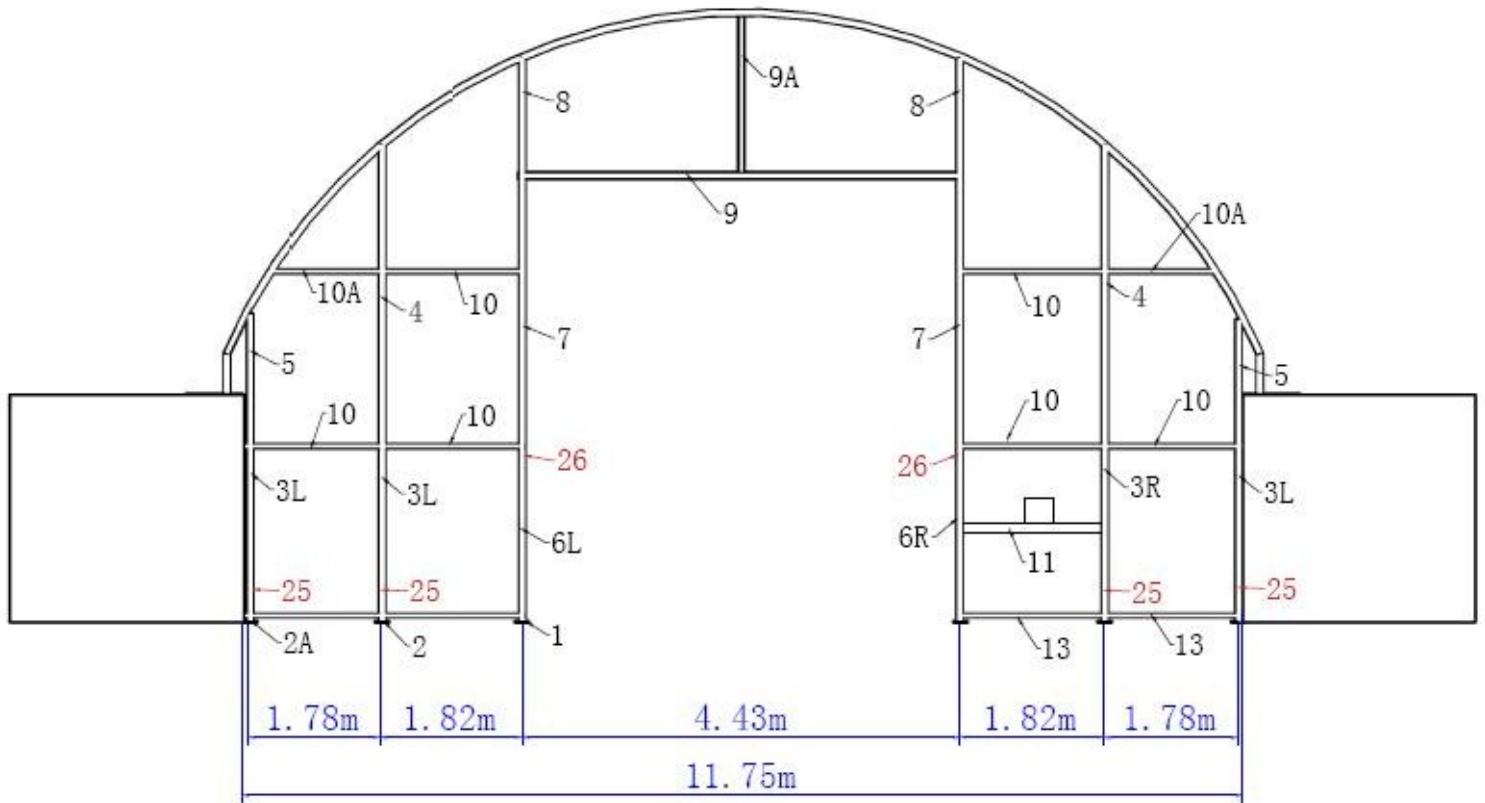
There are four base plate comes with the back endwall. Each of them should be placed in the right position(especially the two base plate close to the containers.)

## C--INSTRUCTION FOR COVER ATTACHED

Assembly the end cover first.

NOTE: DO NOT install the cover onto the frame of your building in high wind conditions. A slight breeze is the most advantageous for cover installation. To take advantage of the breeze, pull the cover up over the arches with the breeze blowing in the cover like a sail filled with a





**Figure 3**

The process is quite easy. But some tightening adjustments will be necessary to produce a flat. Please adjust the cover timely.



 990 U.S. 27 Venus, FL 33960 United States  
 [sales@storageandcanopy.com](mailto:sales@storageandcanopy.com)  
 +1 (321) 710-0804  
[www.storageandcanopy.com](http://www.storageandcanopy.com)